

TABLE OF CONTENTS

Refer to Section 4.14 for standard Spandrel Beam Details

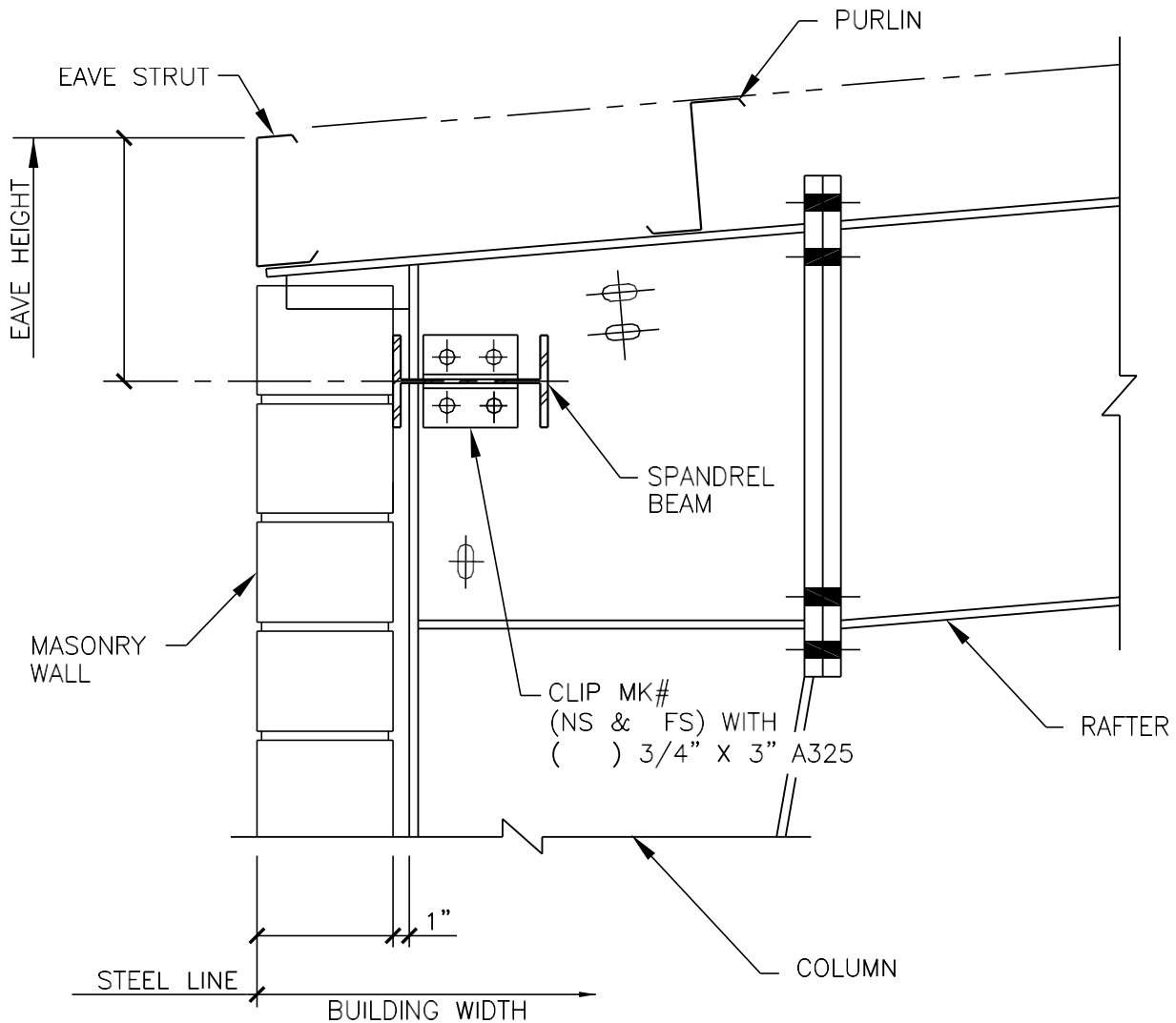
A: SIDEWALL STRUCTURAL CONDITIONS	3
LA0010 – Non-Parapet, Purlin Bldg., Eave Strut on top of Masonry	3
LA0020 – Non-Parapet, Purlin Bldg., Eave Strut inside of Masonry	4
LA0030 – Non-Parapet, Joist Bldg., Eave Strut on top of Masonry	5
LA0040 – Non-Parapet, Joist Bldg., Eave Strut on top of Masonry	6
LA0050 – Parapet, Purlin Bldg.	7
LA0060 – Parapet, Joist Bldg.	8
B: ENDWALL STRUCTURAL CONDITIONS	9
LB0010 – Non-Parapet, Purlin Bldg.	9
LB0020 – Non-Parapet, Joist Bldg.	10
LB0030 – Parapet, Purlin Bldg.	11
LB0040 – Parapet, Joist Bldg.	12
C: SIDEWALL SHEETING CONDITIONS	13
LC6010 – Non-Parapet, Joist Bldg., CFR by NBS, Eave Strut on top of Masonry	13
LC6020 – Non-Parapet, Purlin Bldg., CFR by NBS, Eave Strut inside of Masonry	14
LC6030 – Non-Parapet, Purlin Bldg., Roof not by NBS, Eave Strut on top of Masonry	15
LC6040 – Non-Parapet, Purlin Bldg., Roof not by NBS, Eave Strut on top of Masonry	16
LC6050 – Parapet, Purlin Bldg., CFR by NBS.....	17
LC6060 – Parapet, Purlin Bldg., Roof not by NBS	18
LC6070 – Parapet, Joist Bldg., CFR by NBS	19
LC6080 – Parapet, Joist Bldg., Roof not by NBS	20
D: ENDWALL SHEETING CONDITIONS	21
LD6010 – Non-Parapet, Purlin Bldg., CFR by NBS	21
LD6020 – Non-Parapet, Joist Bldg., CFR by NBS.....	22
LD6030 – Non-Parapet, Purlin Bldg., Roof not by NBS.....	23
LD6040 – Non-Parapet, Joist Bldg., Roof not by NBS	24
LD6050 – Parapet, Purlin Bldg., CFR by NBS.....	25
LD6060 – Parapet, Joist Bldg., CFR by NBS	26

LD6070 – Parapet, Purlin Bldg., Roof not by NBS	27
LD6080 – Parapet, Joist Bldg., Roof not by NBS	28
E. SPANDREL BEAM CONNECTION DETAILS	29
LE0010 – Spandrel Beam to Column Connection	29
LE0020 – Spandrel Beam to Wall Connection (With Expansion Anchors)	30
LE0030 – Spandrel Beam to Wall Connection (Welded to Embedded Plate)	31
LE0040 – Spandrel Joist to Column Connection	32
LE0050 – Spandrel Joist to Wall Connection (Welded to Embedded Plate)	33
F: SPANDREL GIRT ATTACHMENT DETAILS.....	34
LF0010 – Partial Height Masonry (Hot-Rolled Cee Girt on top of Wall).....	34
G: SHEAR WALL DETAILS	35
LG0010 – Partial Height Masonry (Cold-Formed Cee Girt on top of Wall)	35
LG0020 – Partial Height Masonry (Cold-Formed Zee Girt on top of Wall)	36

Refer to Section 4.14 for standard Spandrel Beam Details

A: SIDEWALL STRUCTURAL CONDITIONS

LA0010 – NON-PARAPET, PURLIN BLDG., EAVE STRUT ON TOP OF MASONRY

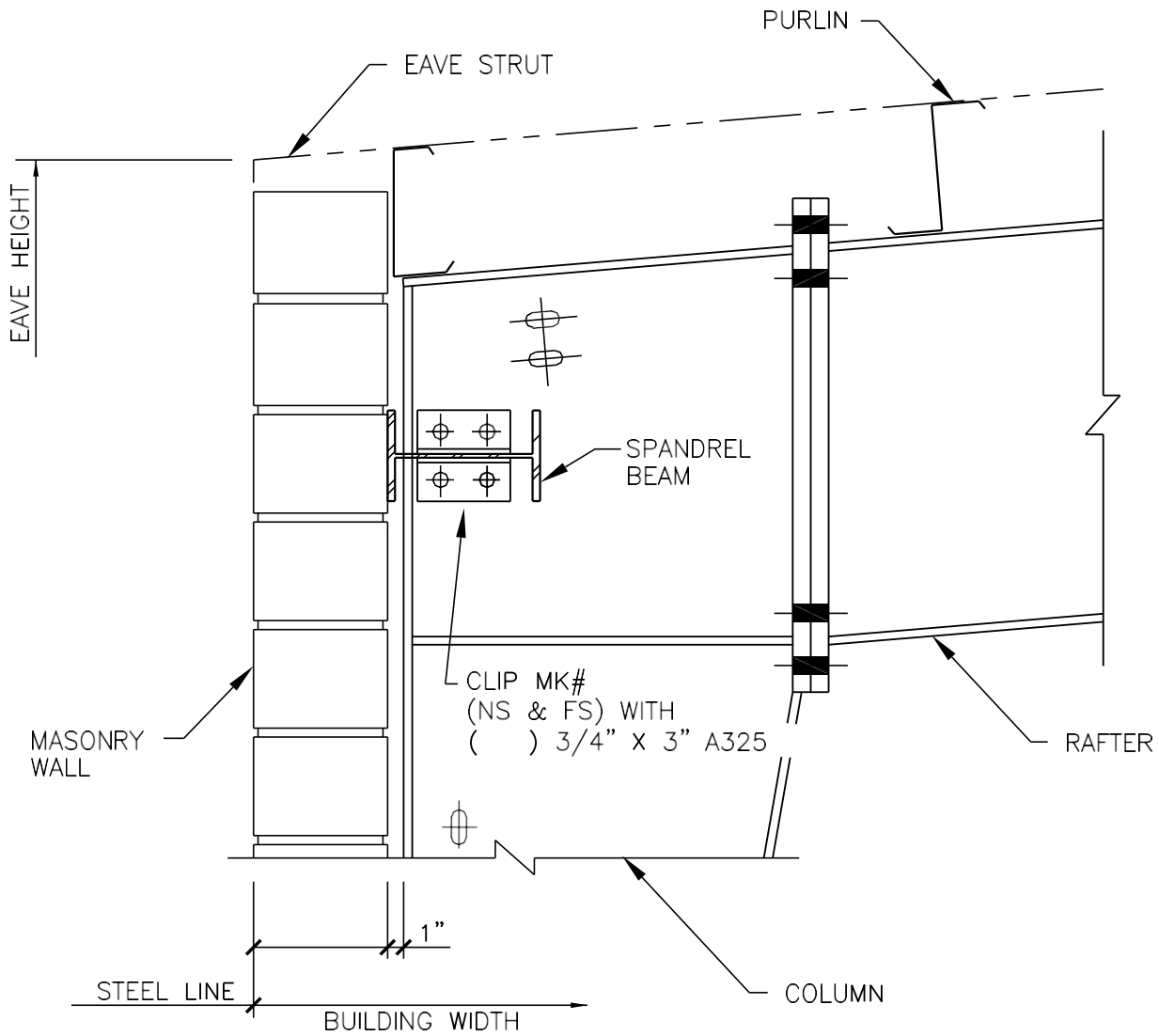


NON-LOAD BEARING FULL HGT. MASONRY

NON-PARAPET: PURLIN ROOF, EAVE STRUT ON TOP OF MASONRY

LA0010

LA0020 – NON-PARAPET, PURLIN BLDG., EAVE STRUT INSIDE OF MASONRY

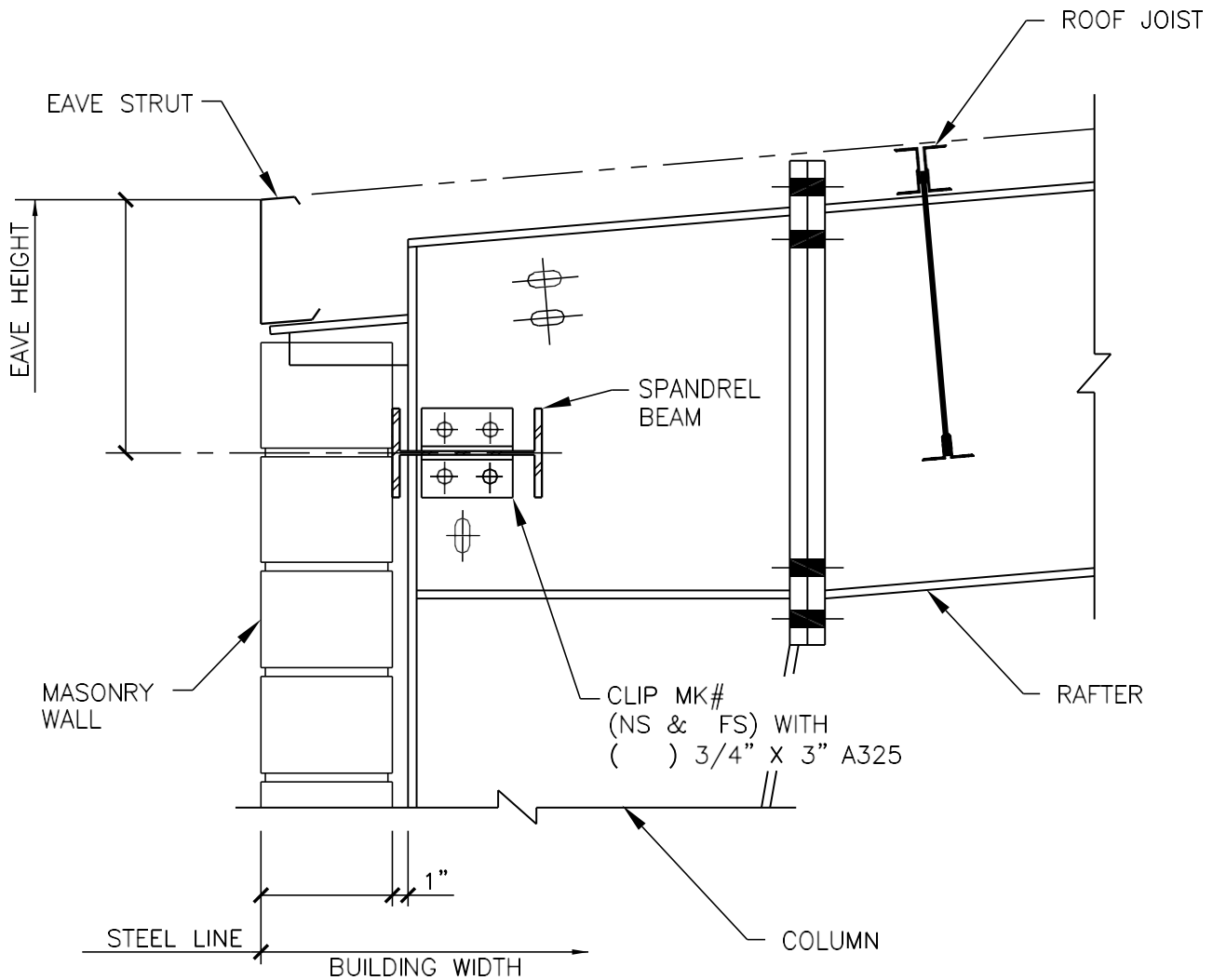


NON-LOAD BEARING FULL HGT. MASONRY

NON-PARAPET: PURLIN ROOF, EAVE STRUT INSIDE OF MASONRY

LA0020

LA0030 – NON-PARAPET, JOIST BLDG., EAVE STRUT ON TOP OF MASONRY

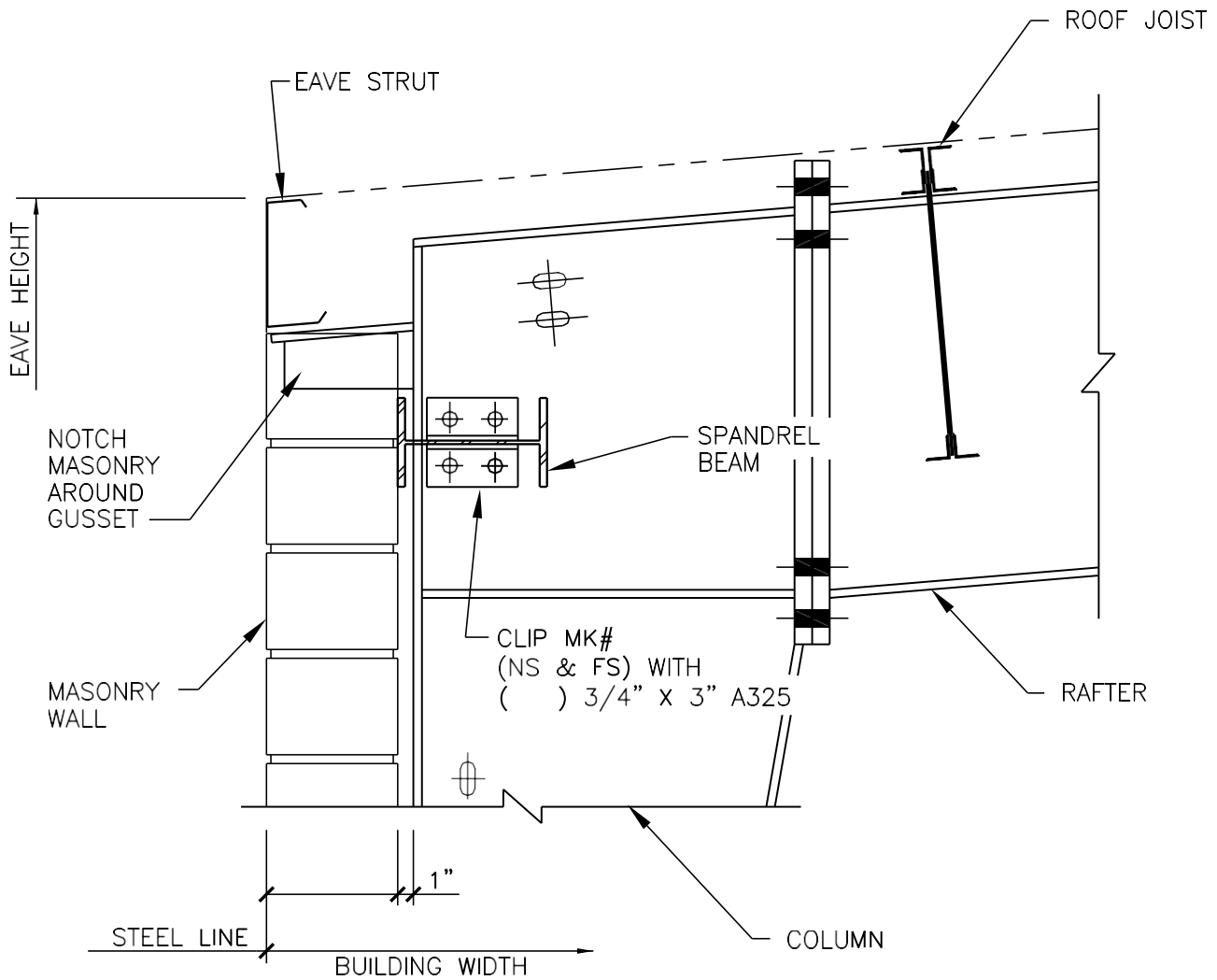


NON-LOAD BEARING FULL HGT. MASONRY

NON-PARAPET: JOIST ROOF, EAVE STRUT ON TOP OF MASONRY

LA0030

LA0040 – NON-PARAPET, JOIST BLDG., EAVE STRUT ON TOP OF MASONRY

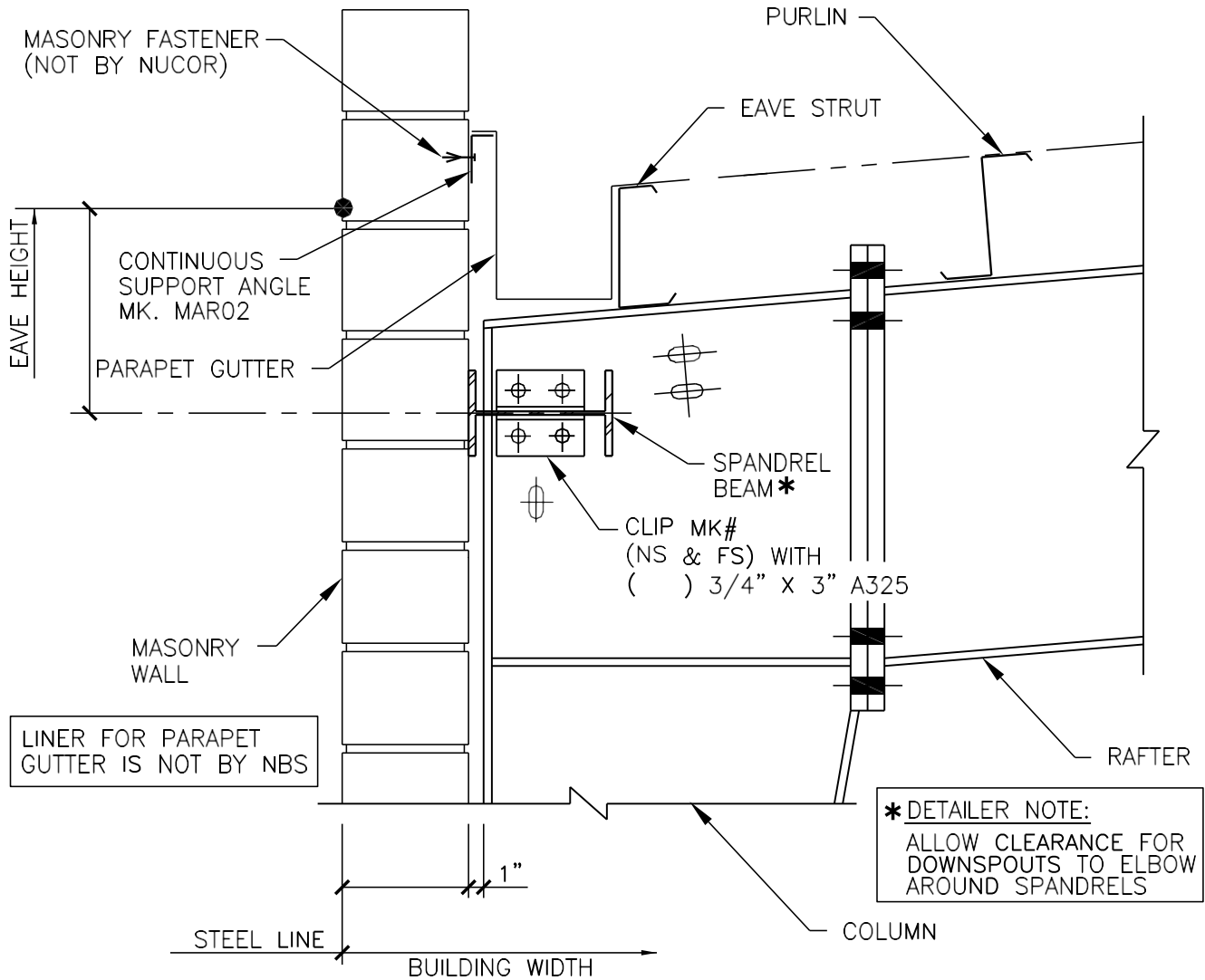


NON-LOAD BEARING FULL HGT. MASONRY

NON-PARAPET: JOIST ROOF, EAVE STRUT INSIDE OF MASONRY

LA0040

LA0050 – PARAPET, PURLIN BLDG.

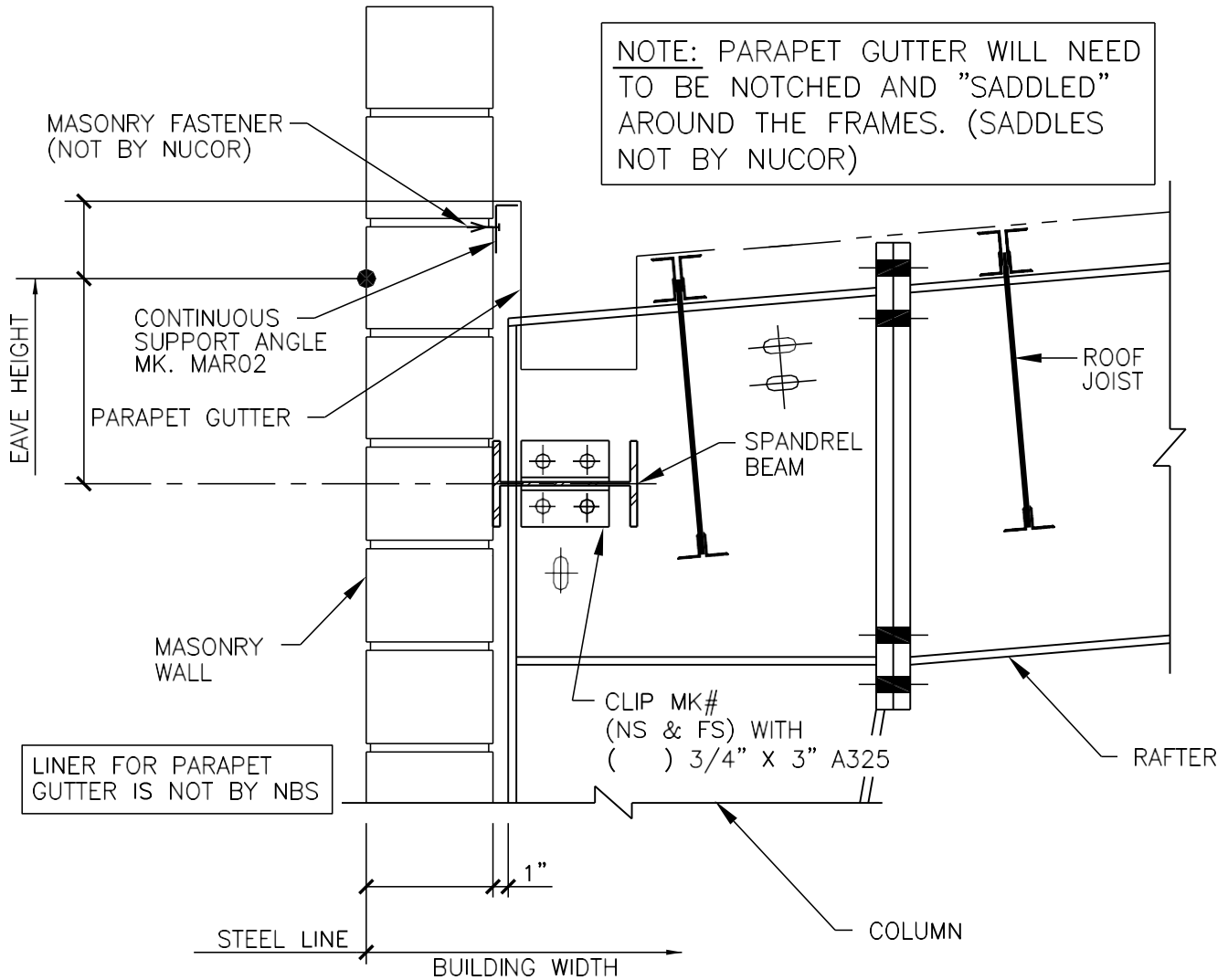


NON-LOAD BEARING FULL HGT. MASONRY

PARAPET: PURLIN ROOF

LA0050

LA0060 – PARAPET, JOIST BLDG.



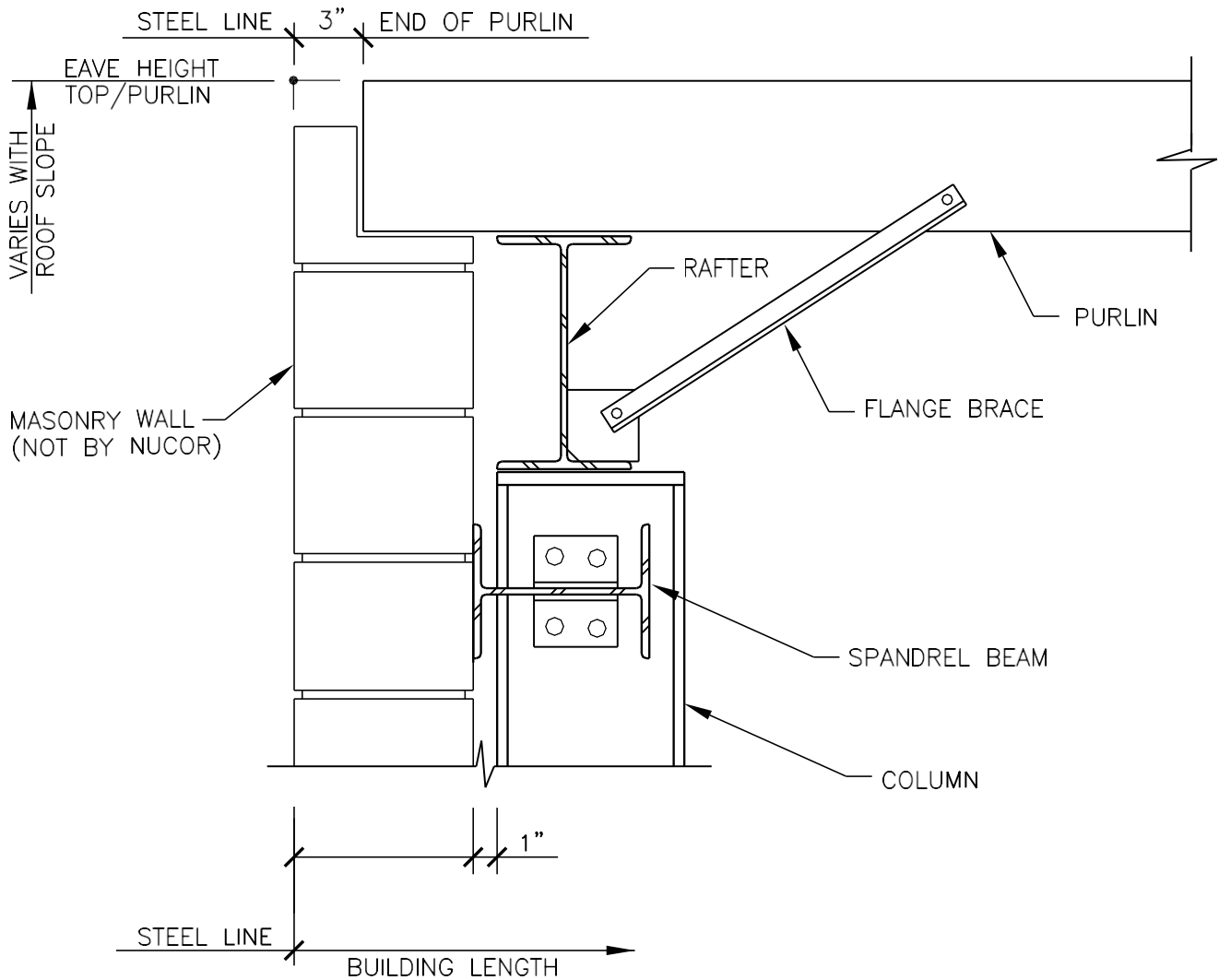
NON-LOAD BEARING FULL HGT. MASONRY

PARAPET: JOIST ROOF

LA0060

B: ENDWALL STRUCTURAL CONDITIONS

LB0010 – NON-PARAPET, PURLIN BLDG.

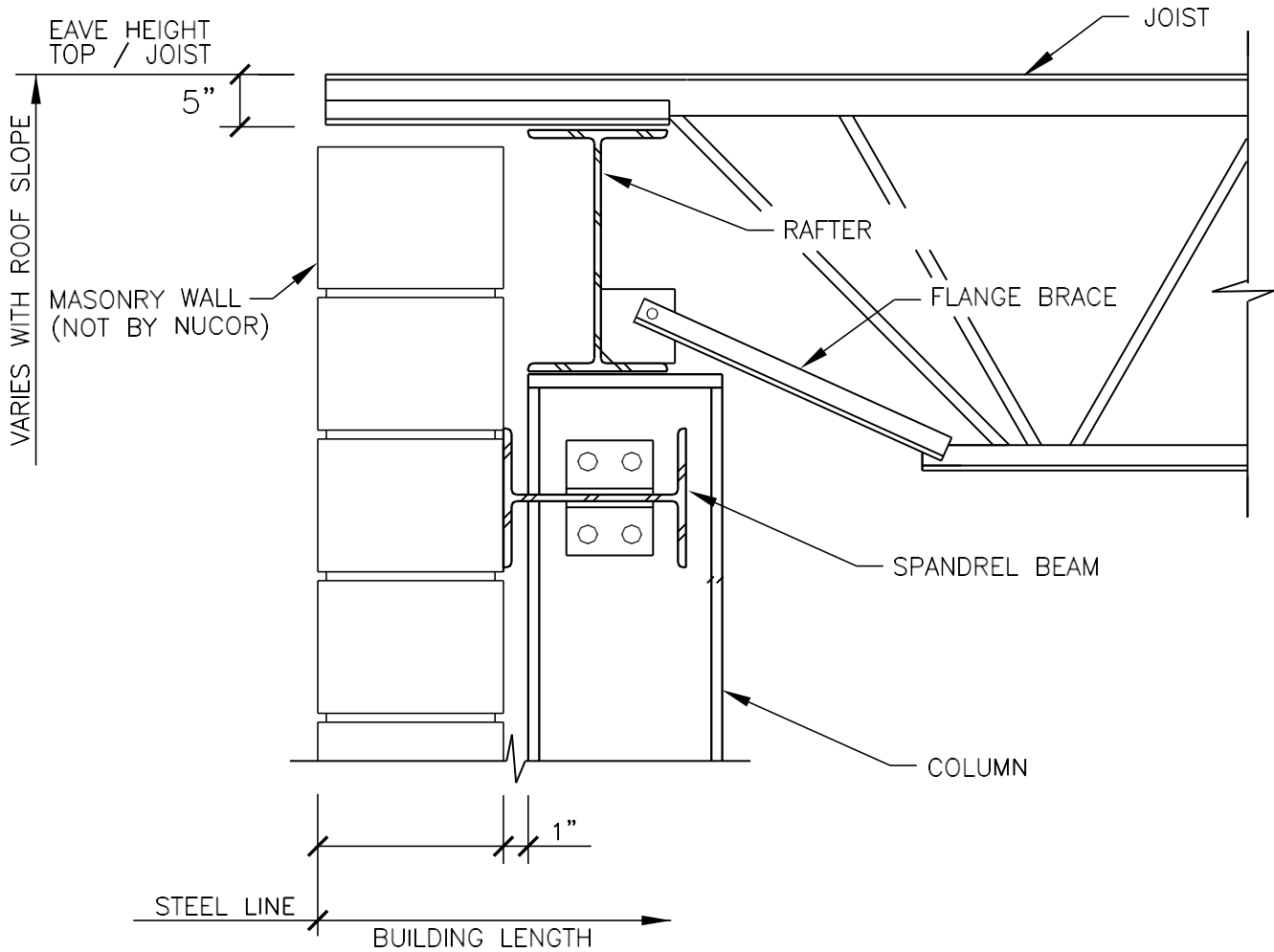


NON-LOAD BEARING MASONRY WALL DETAIL

NON-PARAPET: PURLIN ROOF

LB0010

LB0020 – NON-PARAPET, JOIST BLDG.

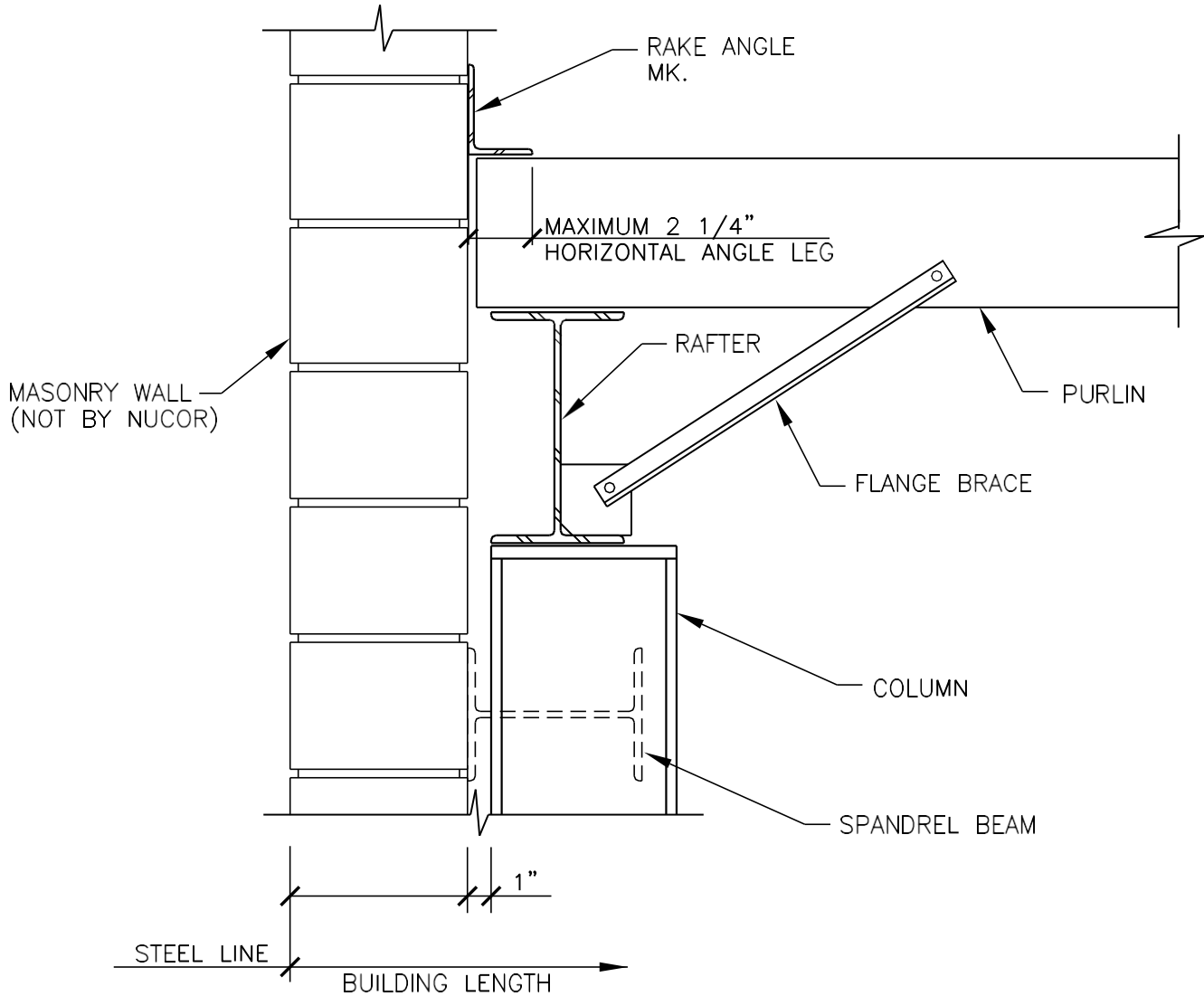


NON-LOAD BEARING MASONRY WALL DETAIL

NON-PARAPET: JOIST ROOF

LB0020

LB0030 – PARAPET, PURLIN BLDG.

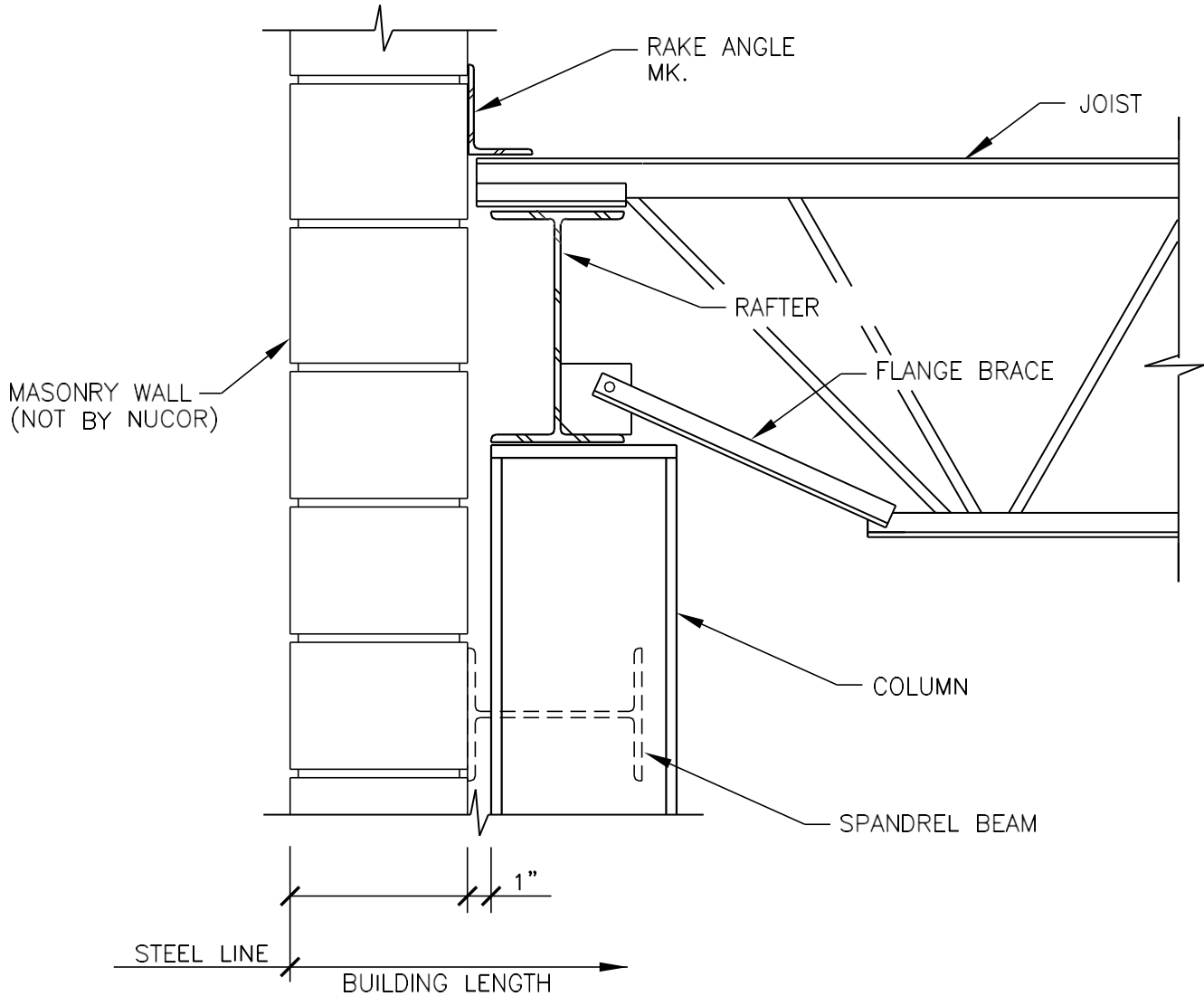


NON-LOAD BEARING MASONRY WALL DETAIL

PARAPET: PURLIN ROOF

LB0030

LB0040 – PARAPET, JOIST BLDG.



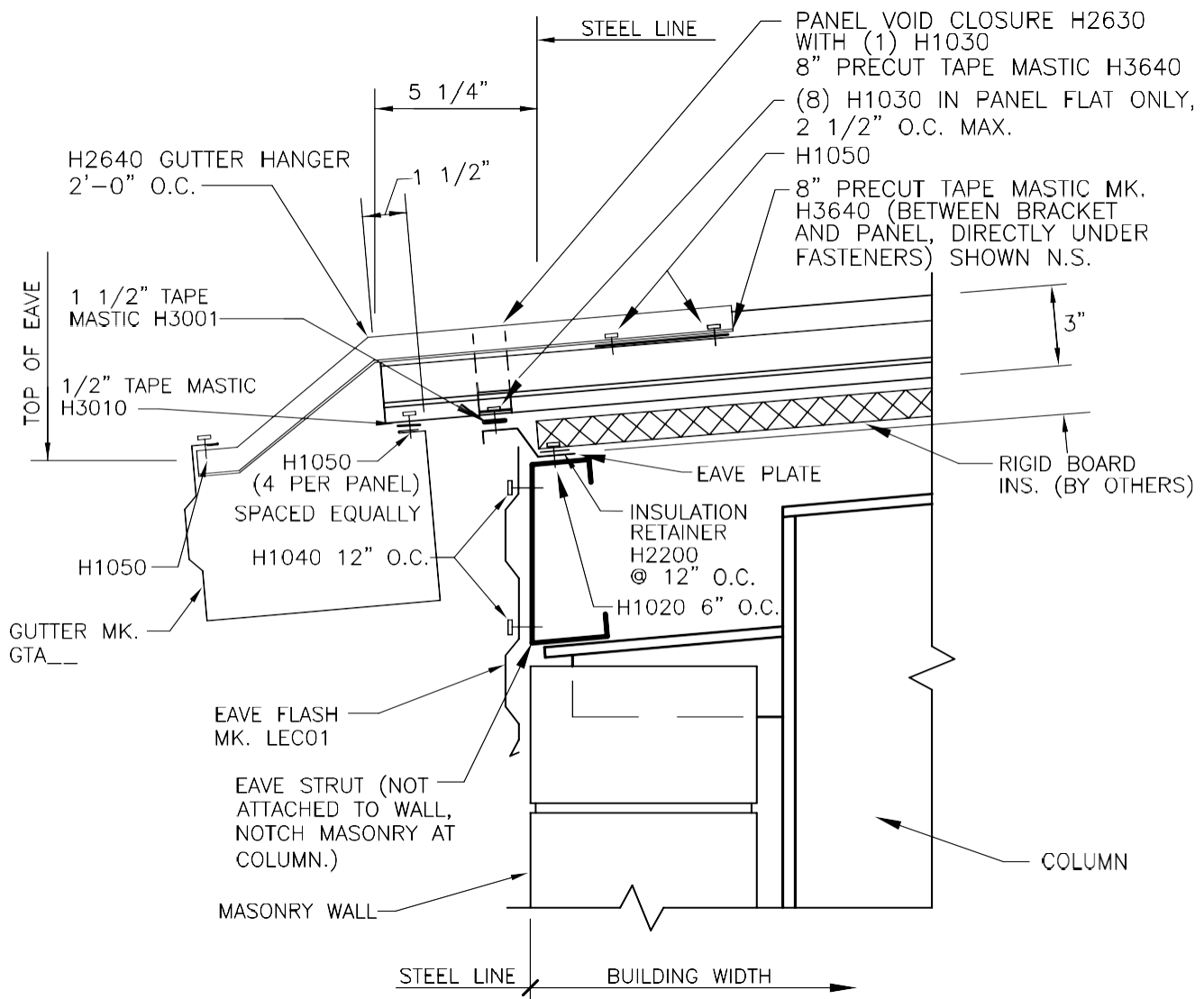
NON-LOAD BEARING MASONRY WALL DETAIL

PARAPET: JOIST ROOF

LB0040

C: SIDEWALL SHEETING CONDITIONS

LC6010 – NON-PARAPET, JOIST BLDG., CFR BY NBS, EAVE STRUT ON TOP OF MASONRY

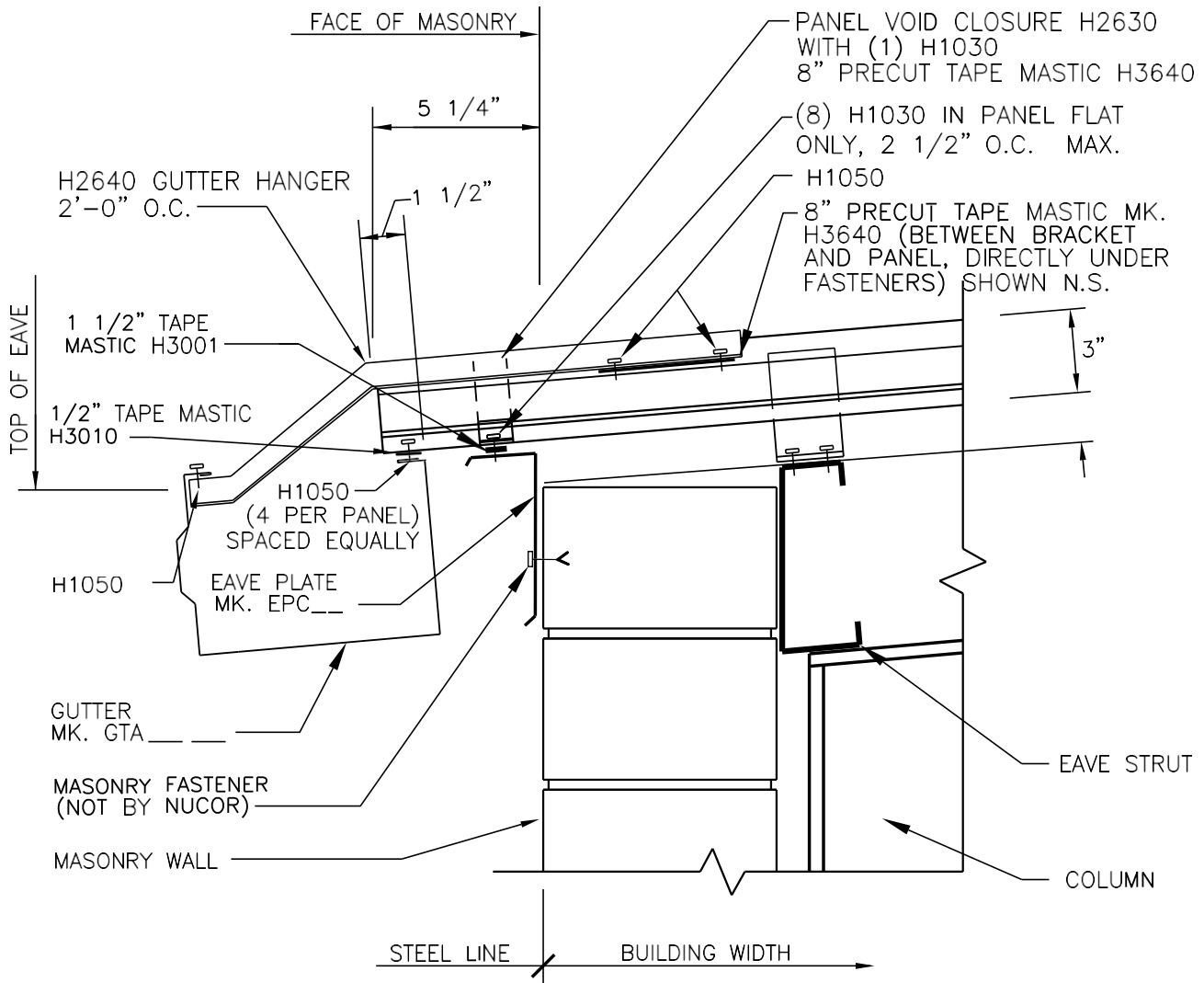


NON-LOAD BEARING FULL HGT. MASONRY

NON-PARAPET: CFR BY NBS, EAVE STRUT ON TOP OF MASONRY

LC6010

LC6020 – NON-PARAPET, PURLIN BLDG., CFR BY NBS, EAVE STRUT INSIDE OF MASONRY

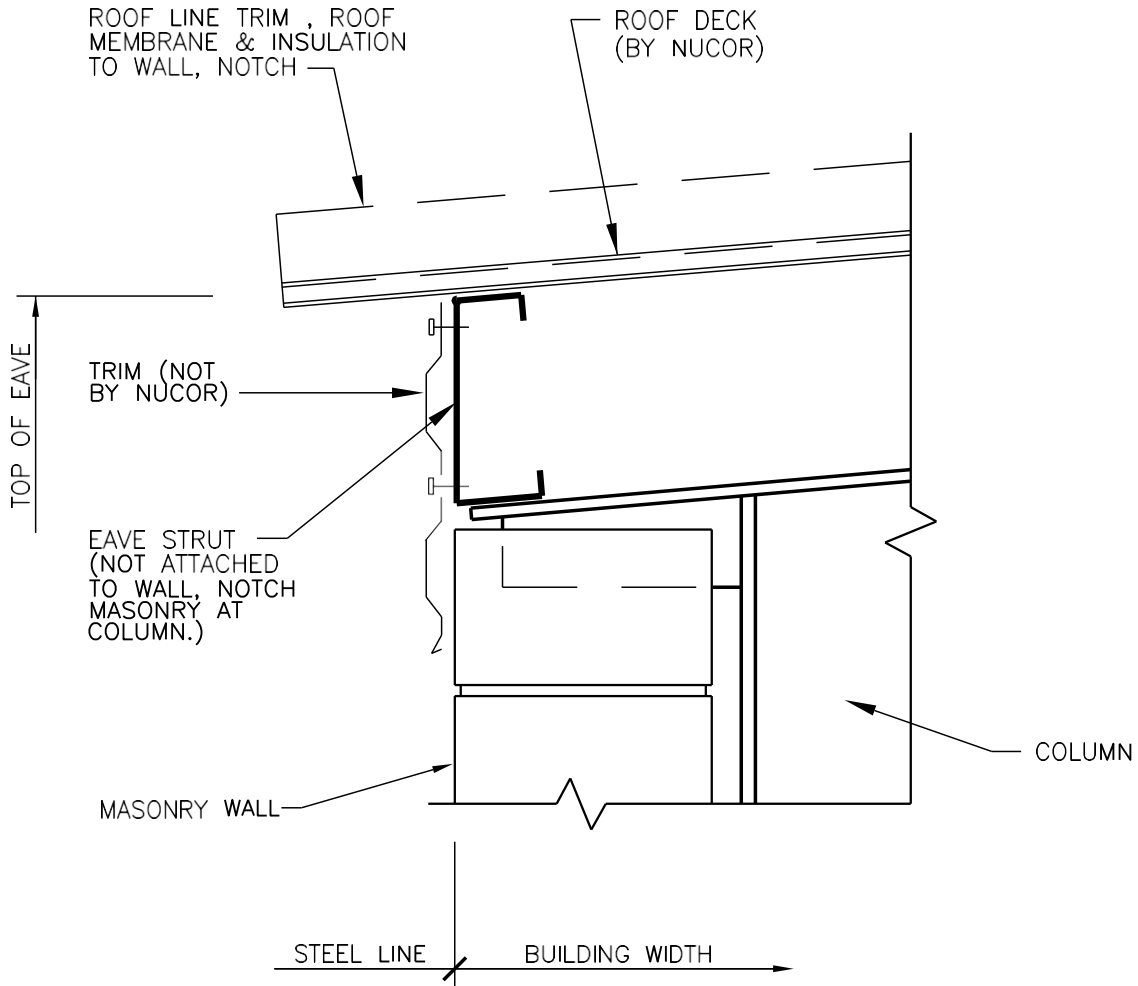


NON-LOAD BEARING FULL HGT. MASONRY

NON-PARAPET: CFR BY NBS, EAVE STRUT INSIDE OF MASONRY

LC6020

LC6030 – NON-PARAPET, PURLIN BLDG., ROOF NOT BY NBS, EAVE STRUT ON TOP OF MASONRY

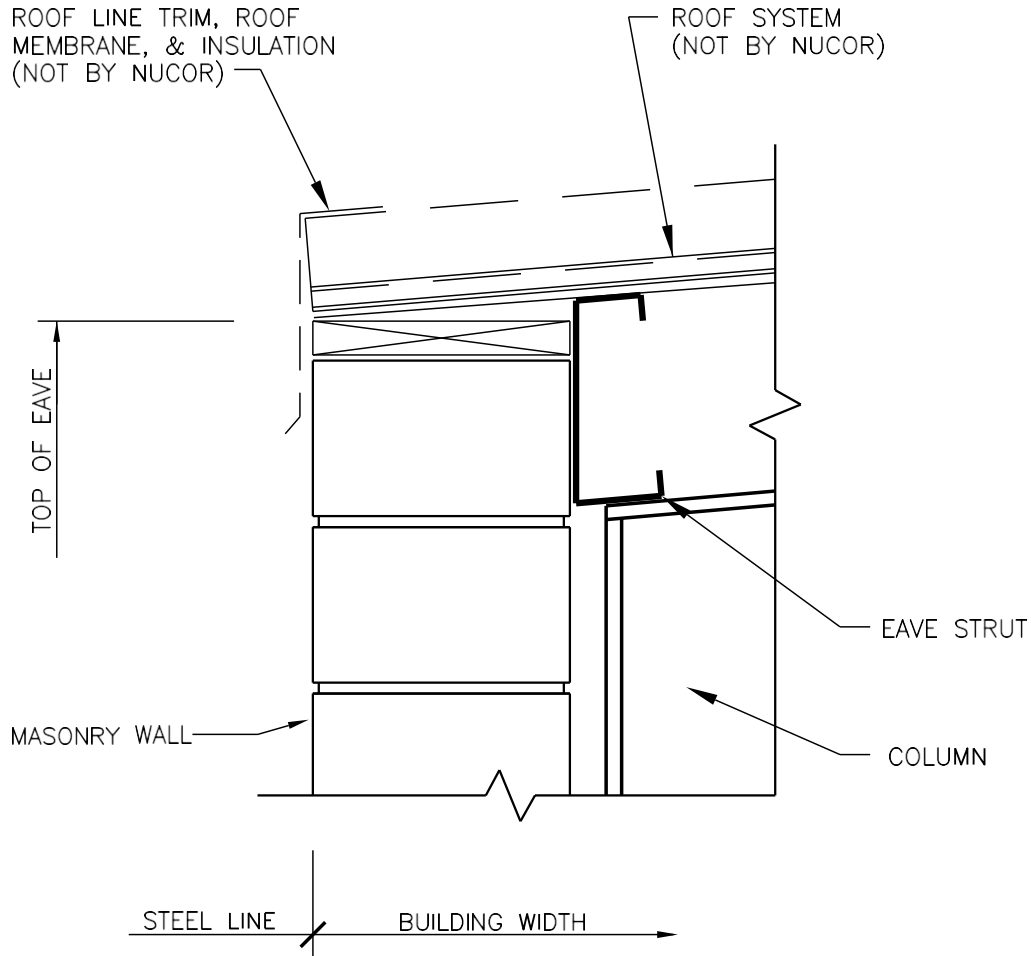


NON-LOAD BEARING FULL HGT. MASONRY

NON-PARAPET: ROOF NOT BY NBS, EAVE STRUT ON TOP OF MASONRY

LC6030

LC6040 – NON-PARAPET, PURLIN BLDG., ROOF NOT BY NBS, EAVE STRUT ON TOP OF MASONRY

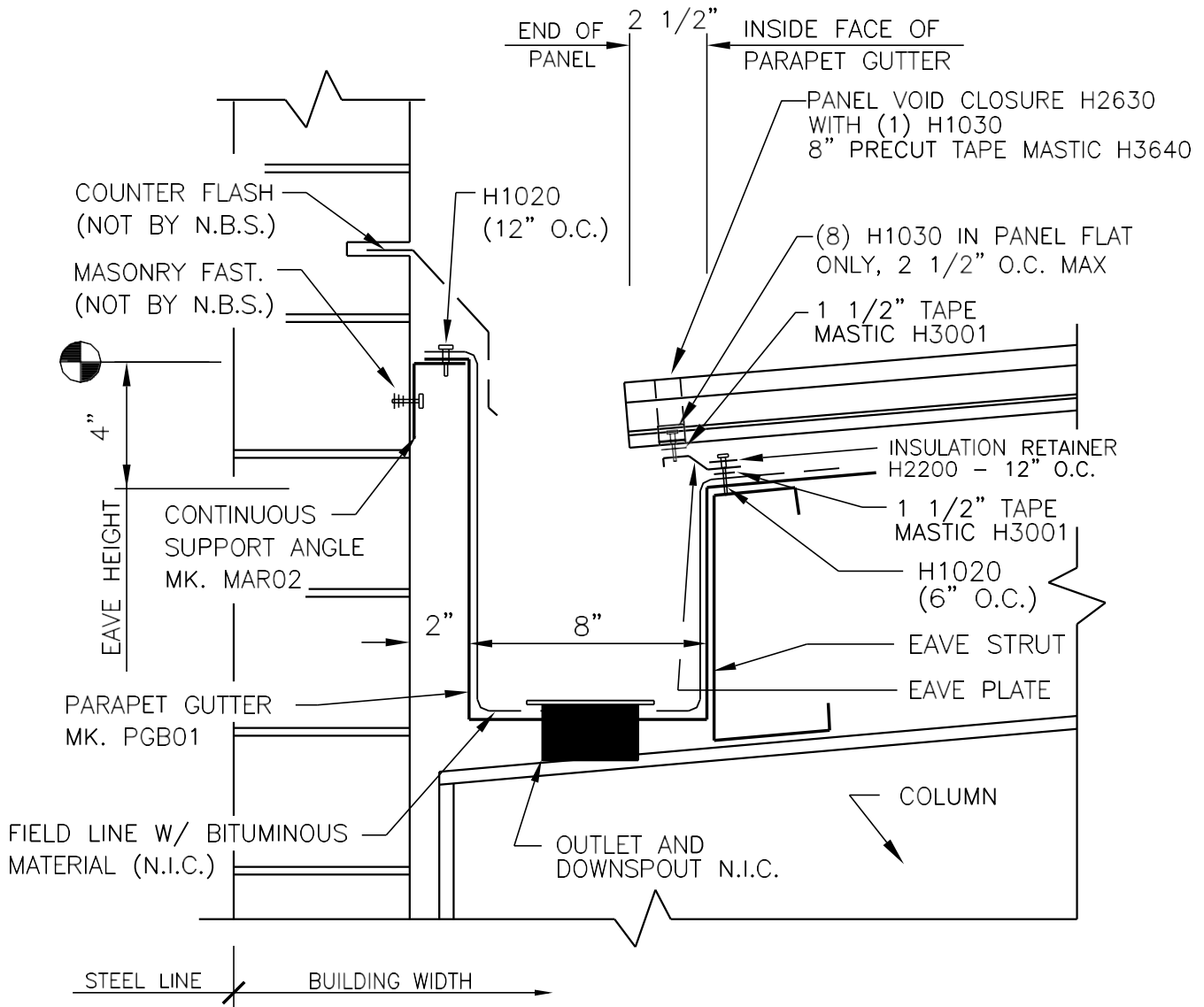


NON-LOAD BEARING FULL HGT. MASONRY

NON-PARAPET: ROOF NOT BY NBS, EAVE STRUT INSIDE OF MASONRY

LC6040

LC6050 – PARAPET, PURLIN BLDG., CFR BY NBS

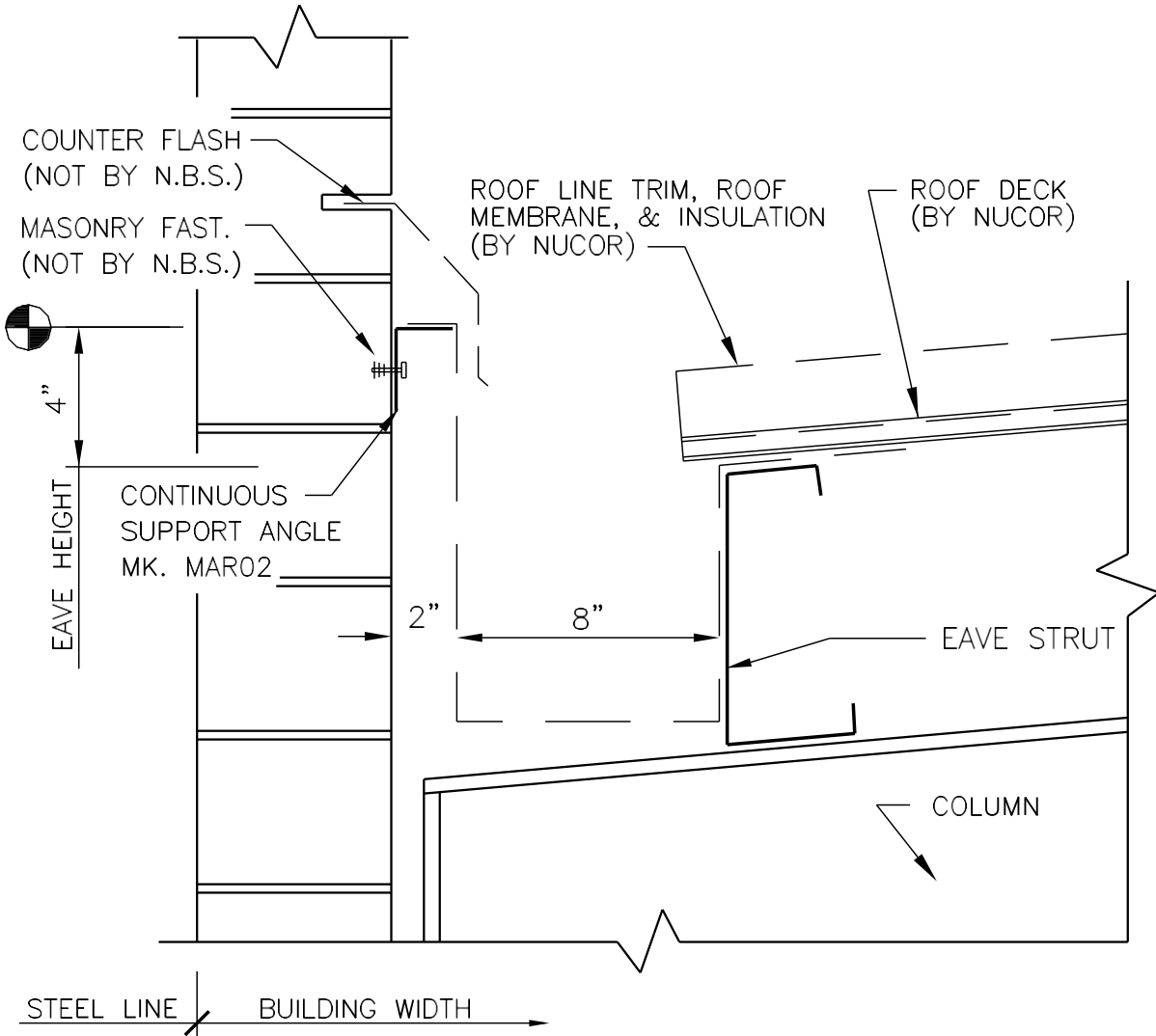


NON-LOAD BEARING FULL HGT. MASONRY

PARAPET: CFR BY NBS, PURLIN ROOF

LC6050

LC6060 – PARAPET, PURLIN BLDG., ROOF NOT BY NBS

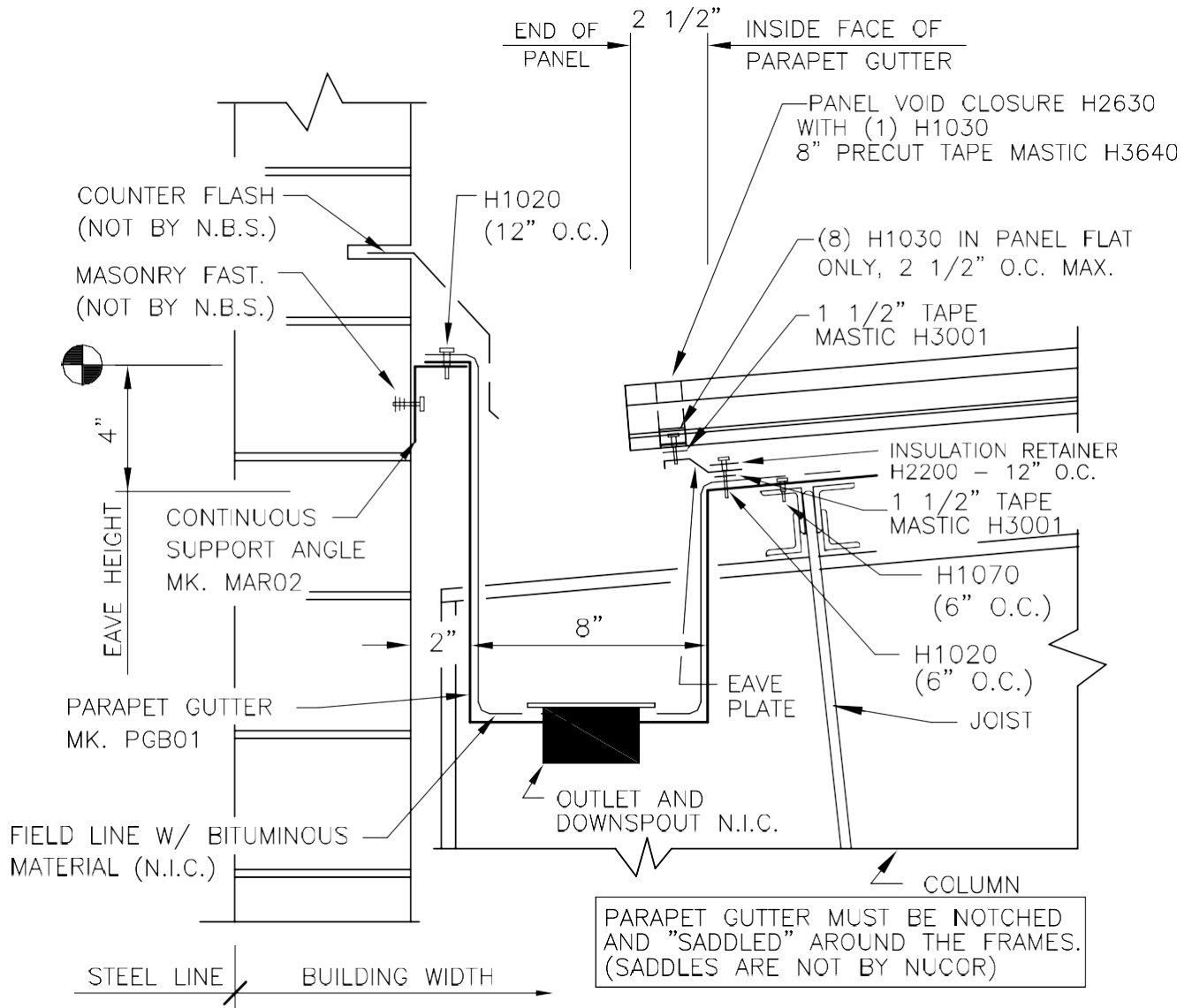


NON-LOAD BEARING FULL HGT. MASONRY

PARAPET: ROOF NOT BY NBS, PURLIN ROOF

LC6060

LC6070 – PARAPET, JOIST BLDG., CFR BY NBS

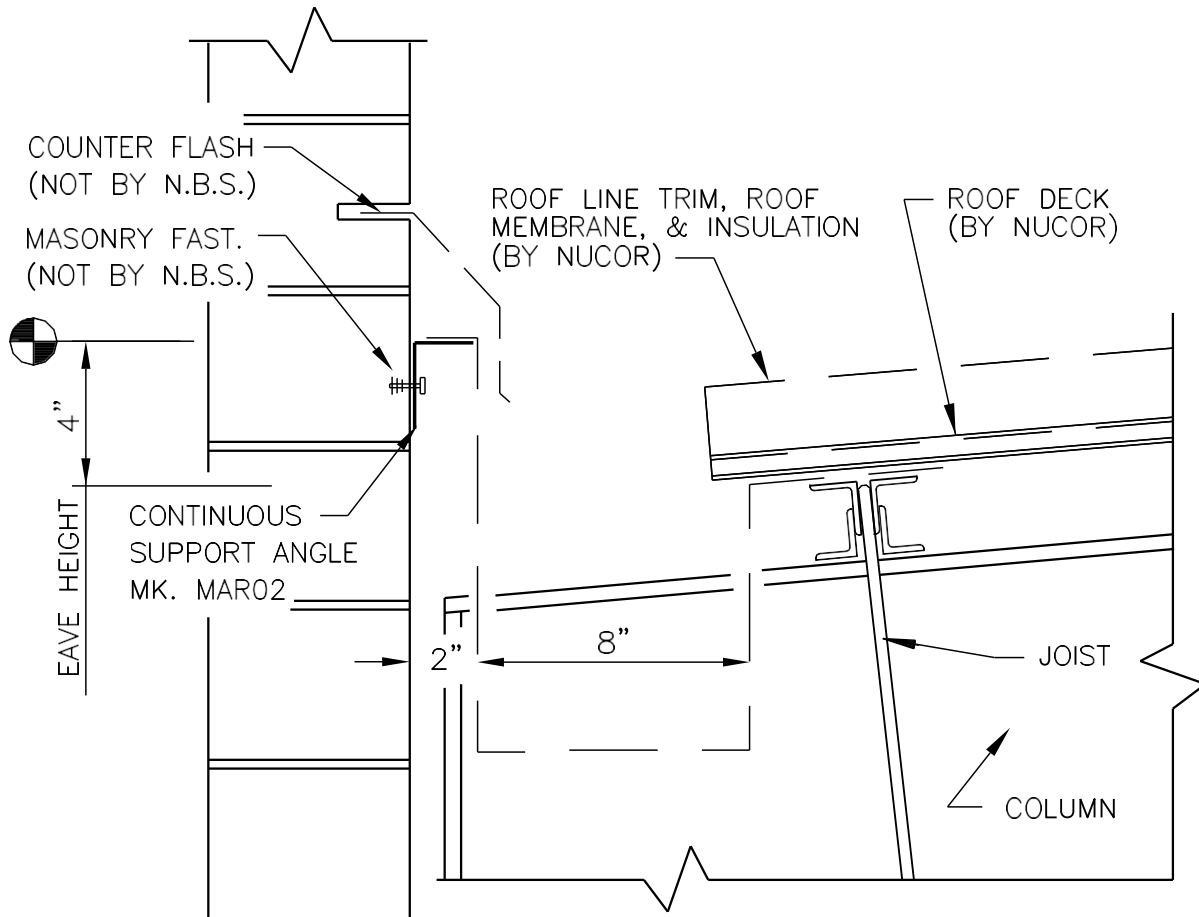


NON-LOAD BEARING FULL HGT. MASONRY

PARAPET: CFR BY NBS, JOIST ROOF

LC6070

LC6080 – PARAPET, JOIST BLDG., ROOF NOT BY NBS



PARAPET GUTTER MUST BE NOTCHED AND "SADDLED" AROUND THE FRAMES. (SADDLES ARE NOT BY NUCOR)

STEEL LINE | BUILDING WIDTH

NON-LOAD BEARING FULL HGT. MASONRY

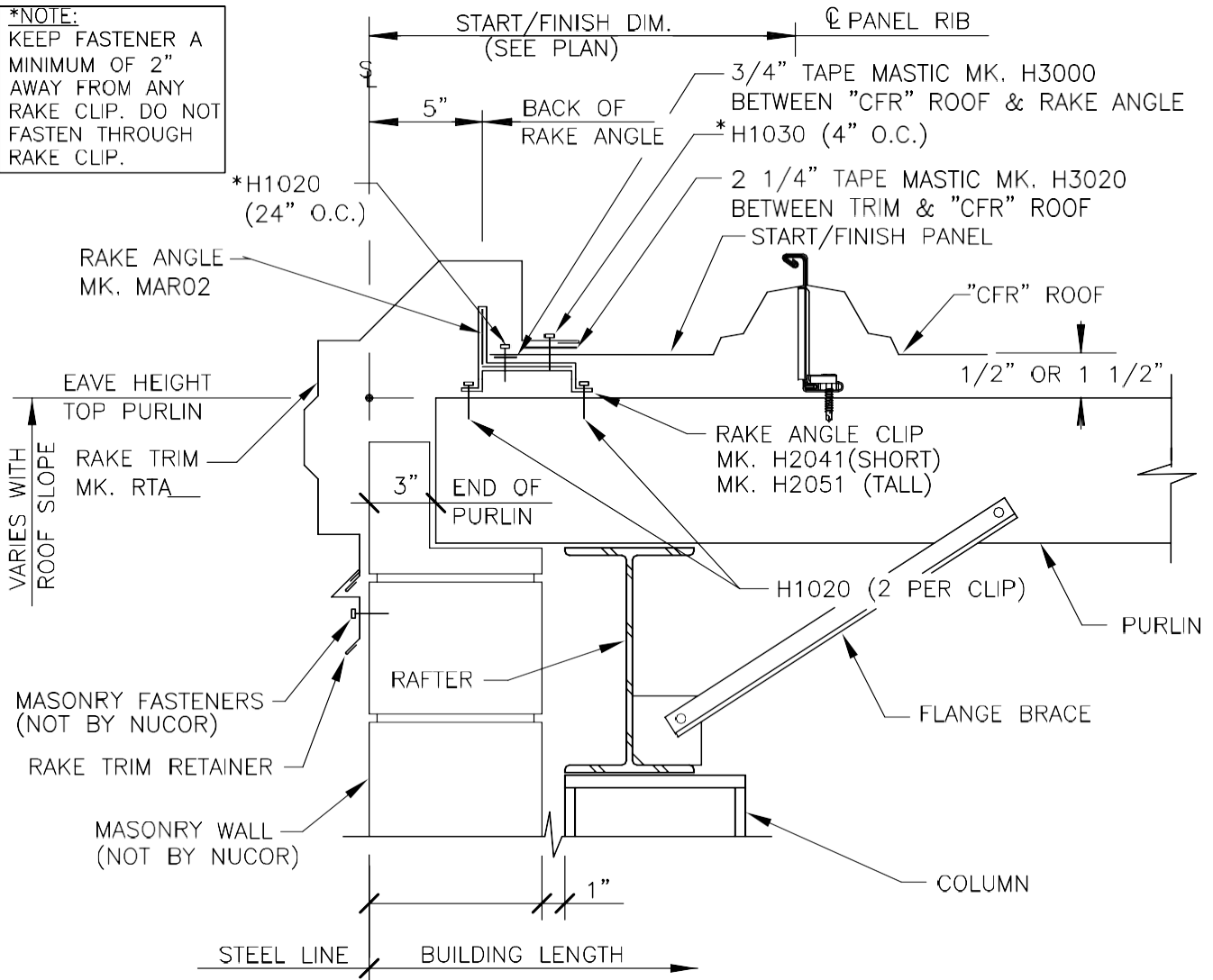
PARAPET: ROOF NOT BY NBS, JOIST ROOF

LC6080

D: ENDWALL SHEETING CONDITIONS

LD6010 – NON-PARAPET, PURLIN BLDG., CFR BY NBS

***NOTE:**
KEEP FASTENER A
MINIMUM OF 2"
AWAY FROM ANY
RAKE CLIP. DO NOT
FASTEN THROUGH
RAKE CLIP.



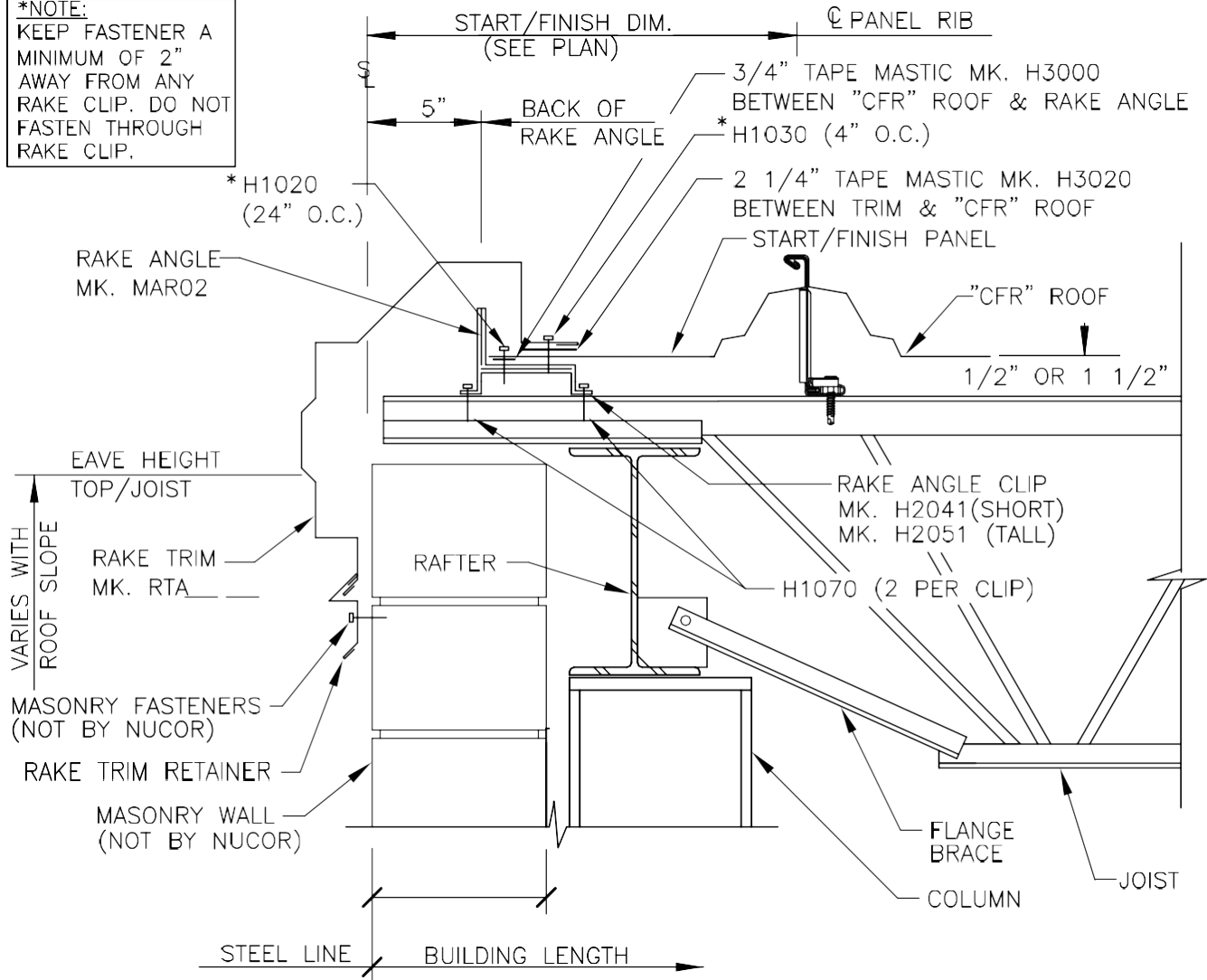
NON-LOAD BEARING MASONRY WALL DETAIL

NON-PARAPET: CFR BY NBS, PURLIN ROOF

LD6010

LD6020 – NON-PARAPET, JOIST BLDG., CFR BY NBS

***NOTE:**
KEEP FASTENER A
MINIMUM OF 2"
AWAY FROM ANY
RAKE CLIP. DO NOT
FASTEN THROUGH
RAKE CLIP.

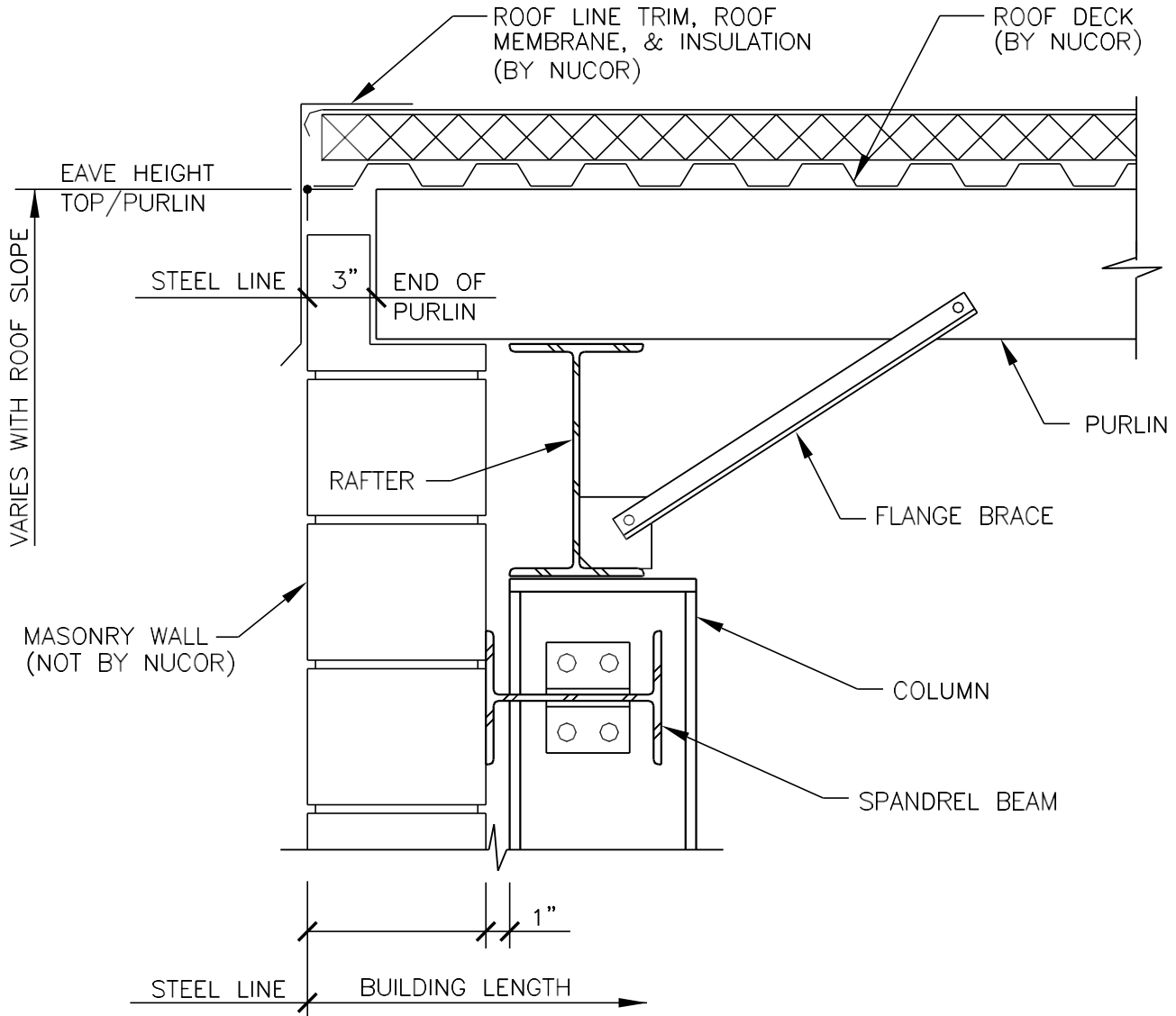


NON-LOAD BEARING MASONRY WALL DETAIL

NON-PARAPET: CFR BY NBS, JOIST ROOF

LD6020

LD6030 – NON-PARAPET, PURLIN BLDG., ROOF NOT BY NBS

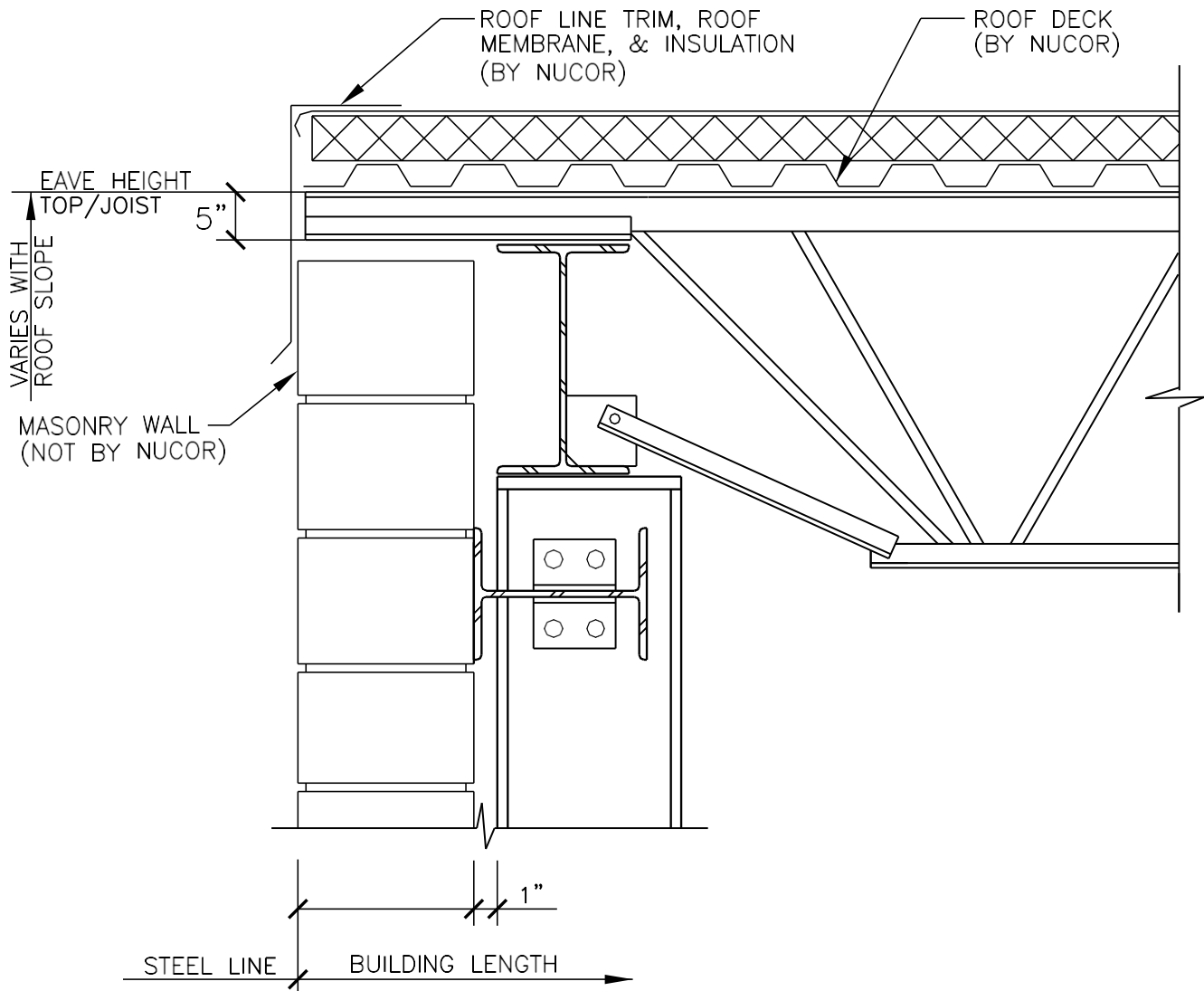


NON-LOAD BEARING MASONRY WALL DETAIL

NON-PARAPET: ROOF NOT BY NBS, PURLIN ROOF

LD6030

LD6040 – NON-PARAPET, JOIST BLDG., ROOF NOT BY NBS

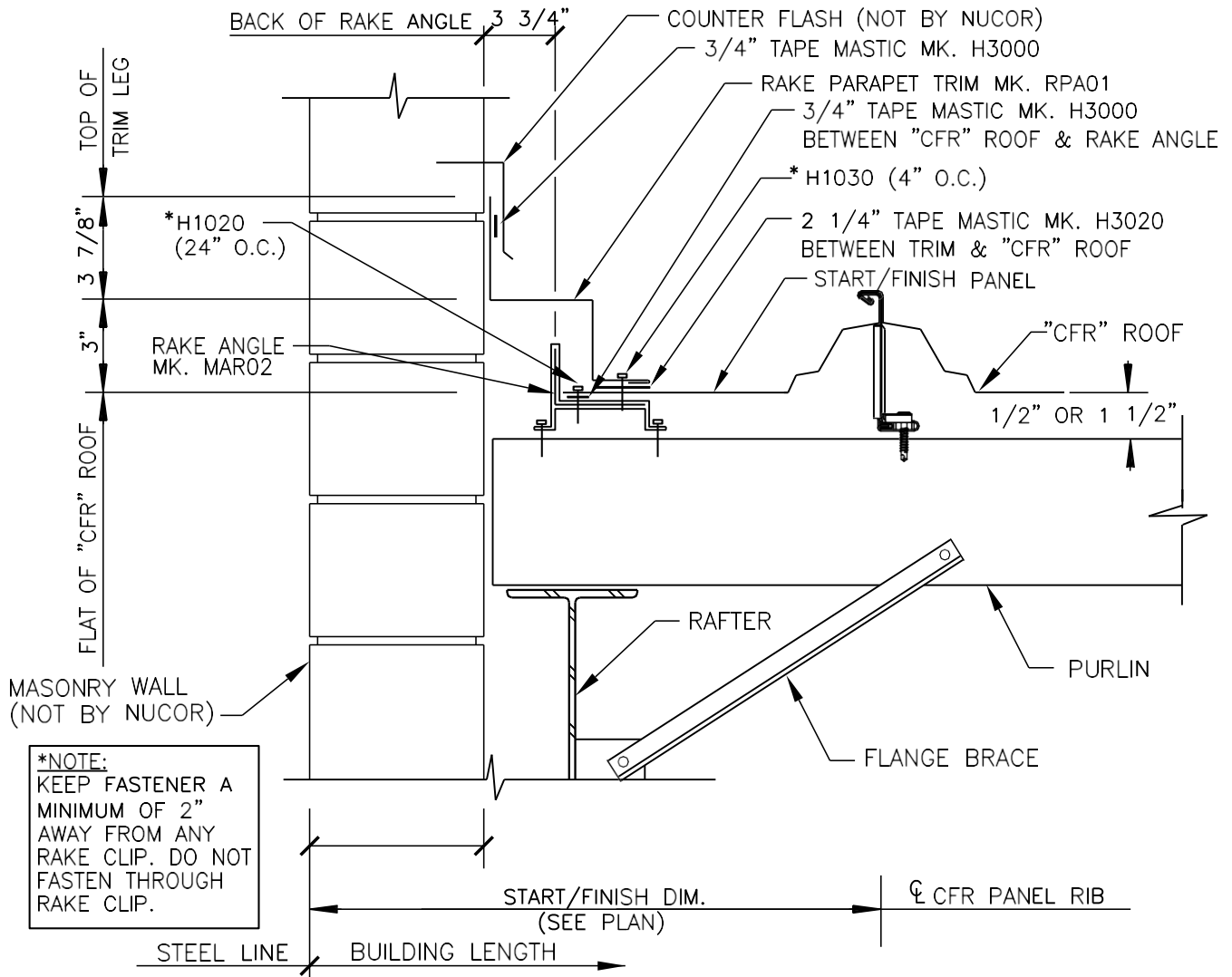


NON-LOAD BEARING MASONRY WALL DETAIL

NON-PARAPET: ROOF NOT BY NBS, JOIST ROOF

LD6040

LD6050 – PARAPET, PURLIN BLDG., CFR BY NBS

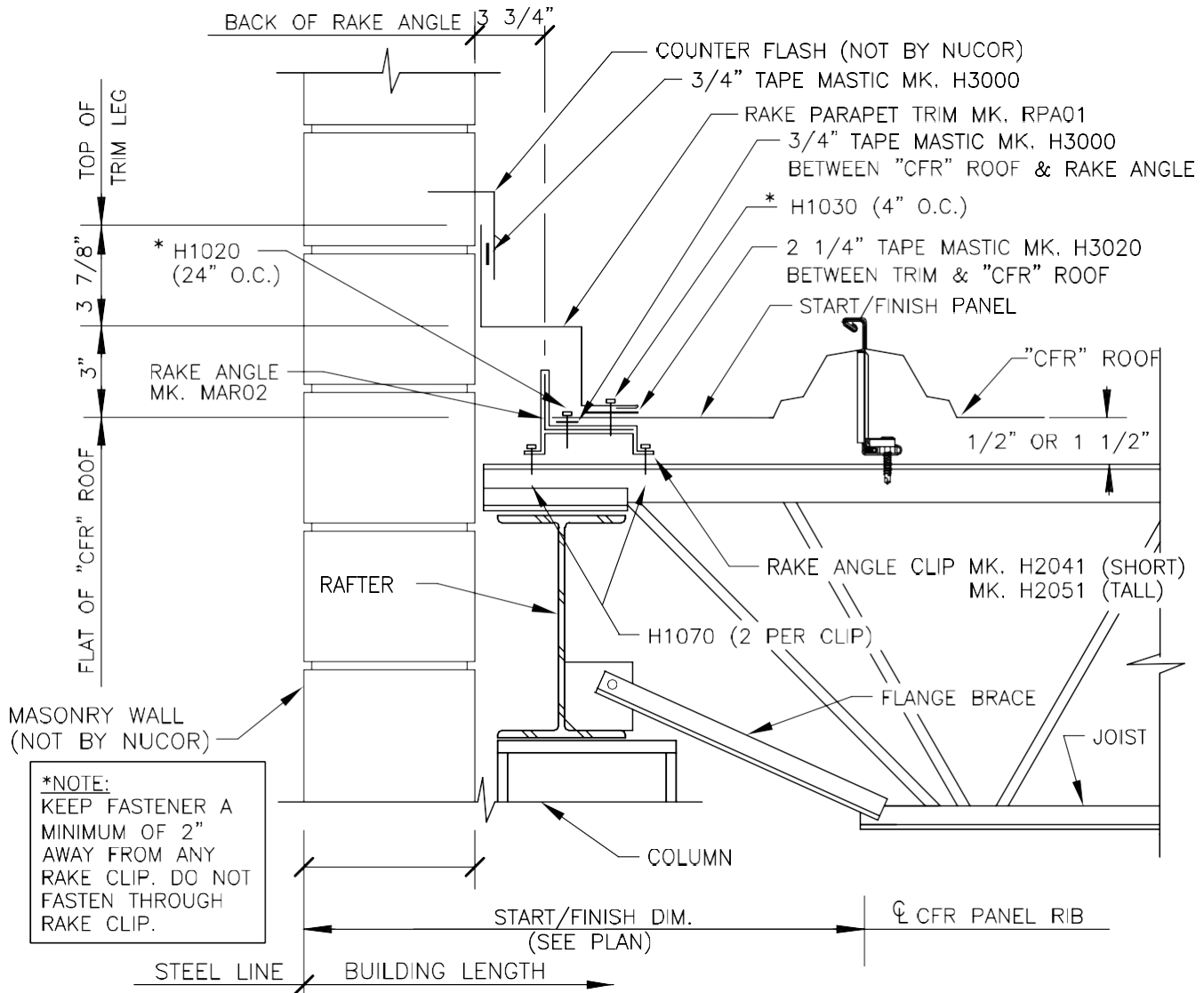


NON-LOAD BEARING MASONRY WALL DETAIL

PARAPET: CFR BY NBS, PURLIN ROOF

LD6050

LD6060 – PARAPET, JOIST BLDG., CFR BY NBS

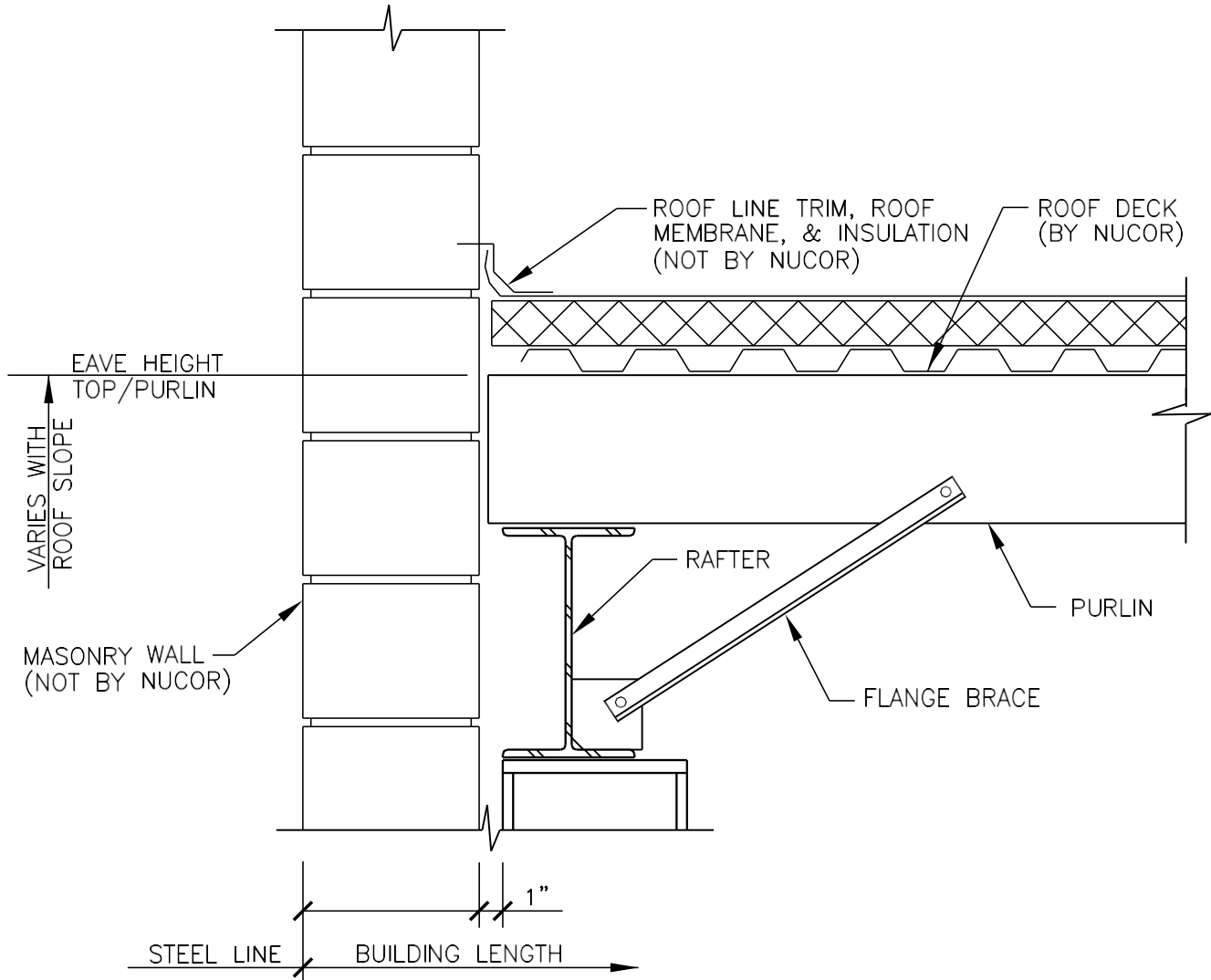


NON-LOAD BEARING MASONRY WALL DETAIL

PARAPET: CFR BY NBS, JOIST ROOF

LD6060

LD6070 – PARAPET, PURLIN BLDG., ROOF NOT BY NBS

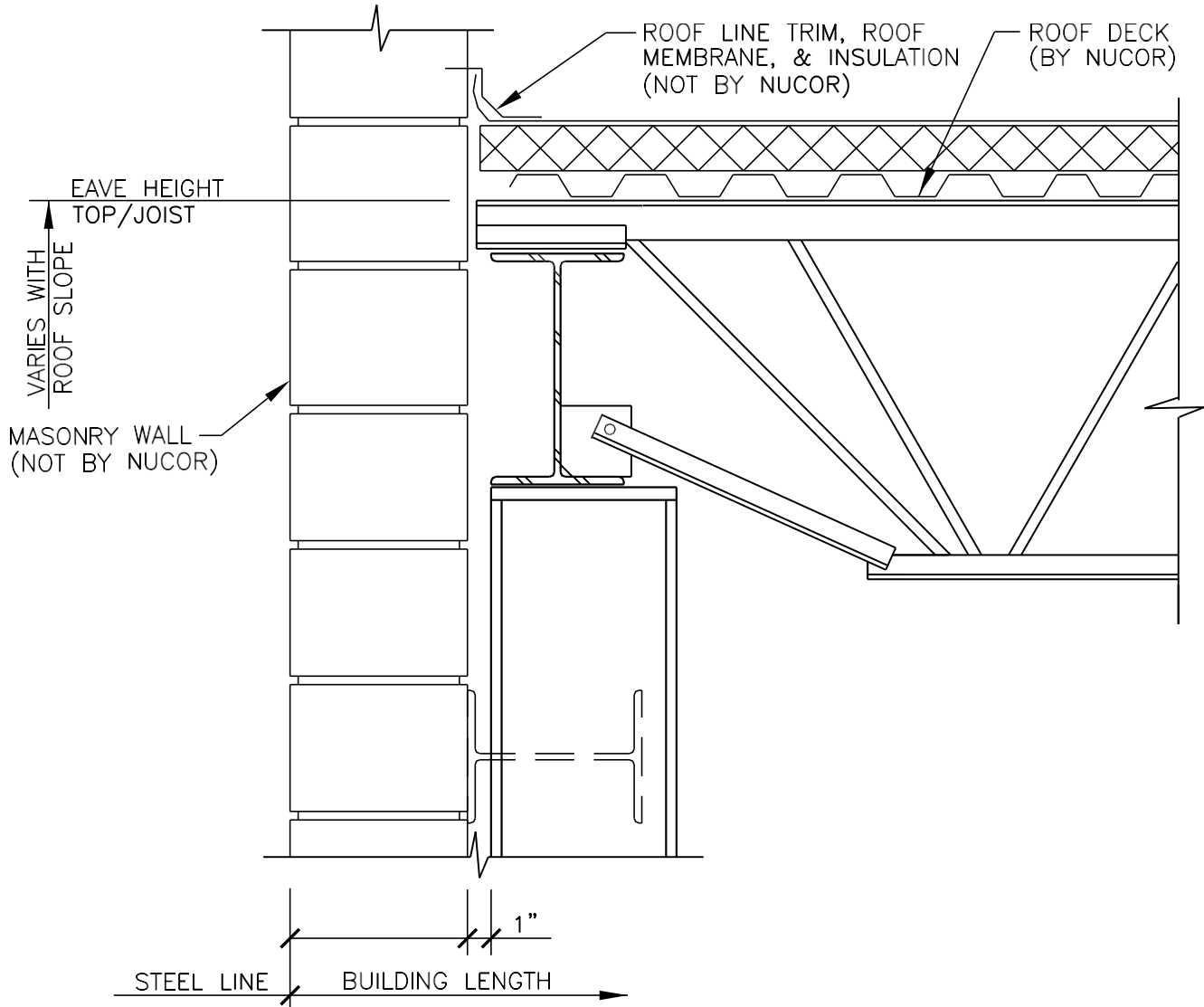


NON-LOAD BEARING MASONRY WALL DETAIL

PARAPET: ROOF NOT BY NBS, PURLIN ROOF

LD6070

LD6080 – PARAPET, JOIST BLDG., ROOF NOT BY NBS



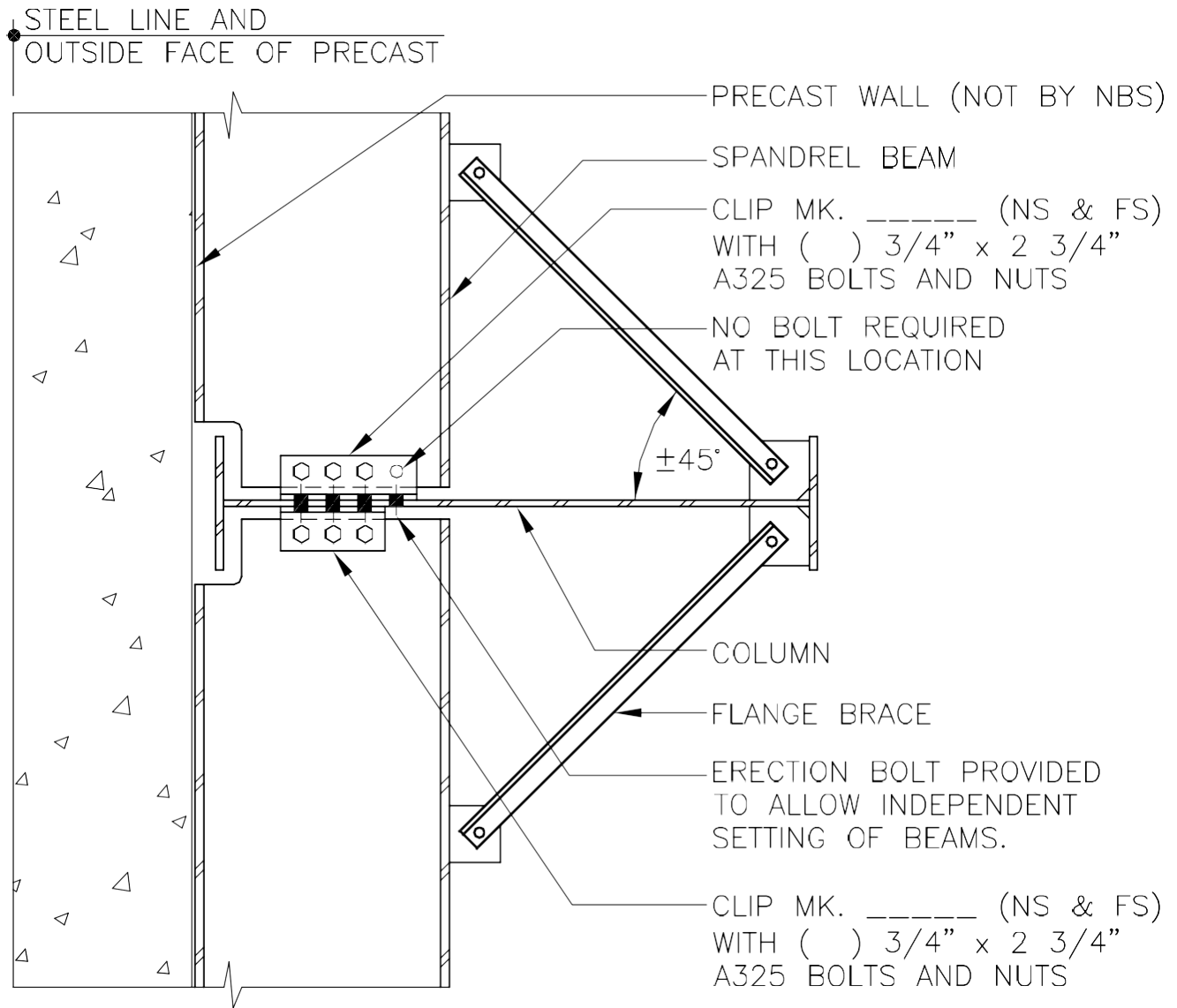
NON-LOAD BEARING MASONRY WALL DETAIL

PARAPET: ROOF NOT BY NBS, JOIST ROOF

LD6080

E. SPANDREL BEAM CONNECTION DETAILS

LE0010 – SPANDREL BEAM TO COLUMN CONNECTION

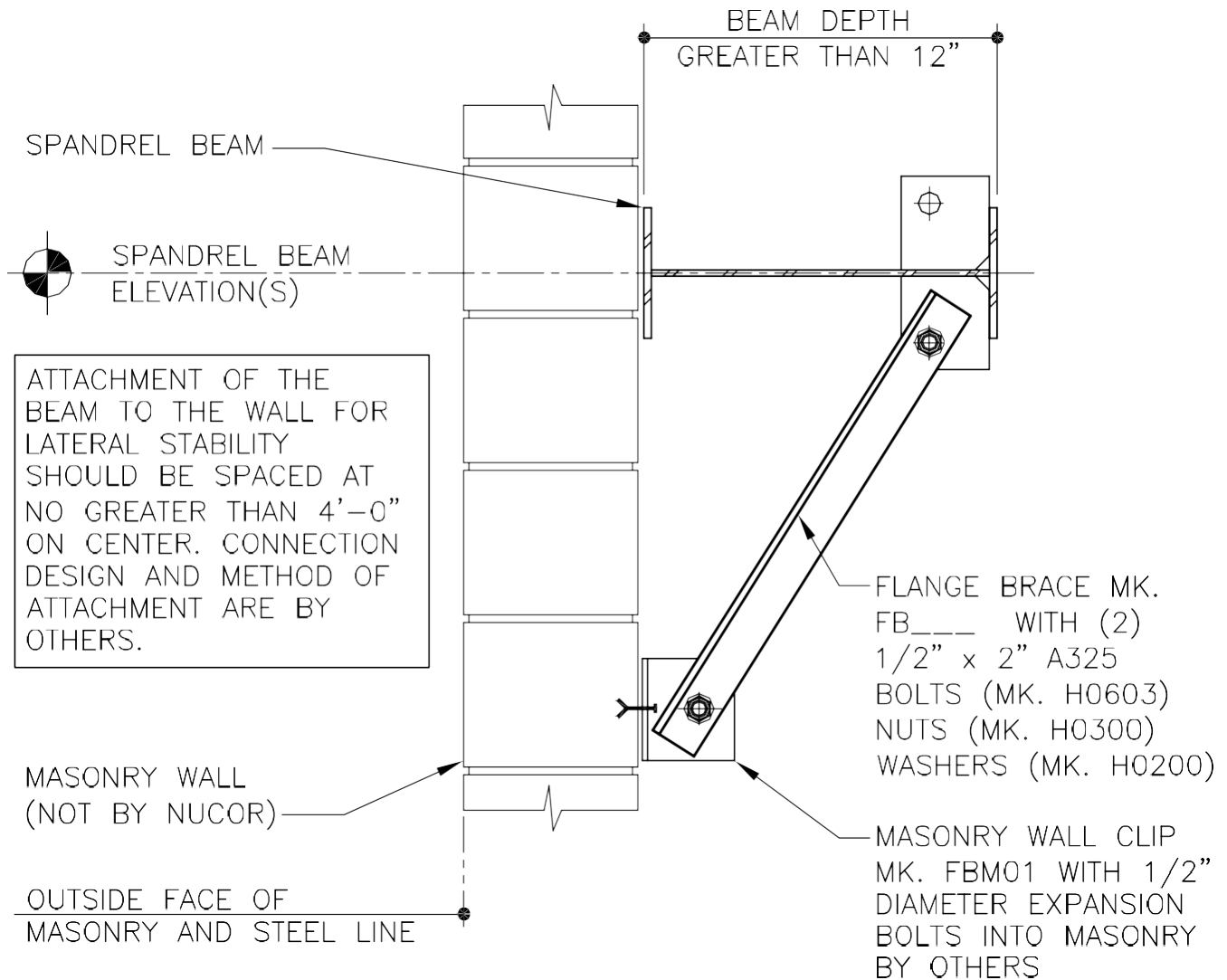


NON-LOAD BEARING MASONRY

SPANDREL BEAM TO COLUMN CONNECTION

LE0010

LE0020 – SPANDREL BEAM TO WALL CONNECTION (WITH EXPANSION ANCHORS)



SPANDREL BEAM TO NON-LOAD BEARING

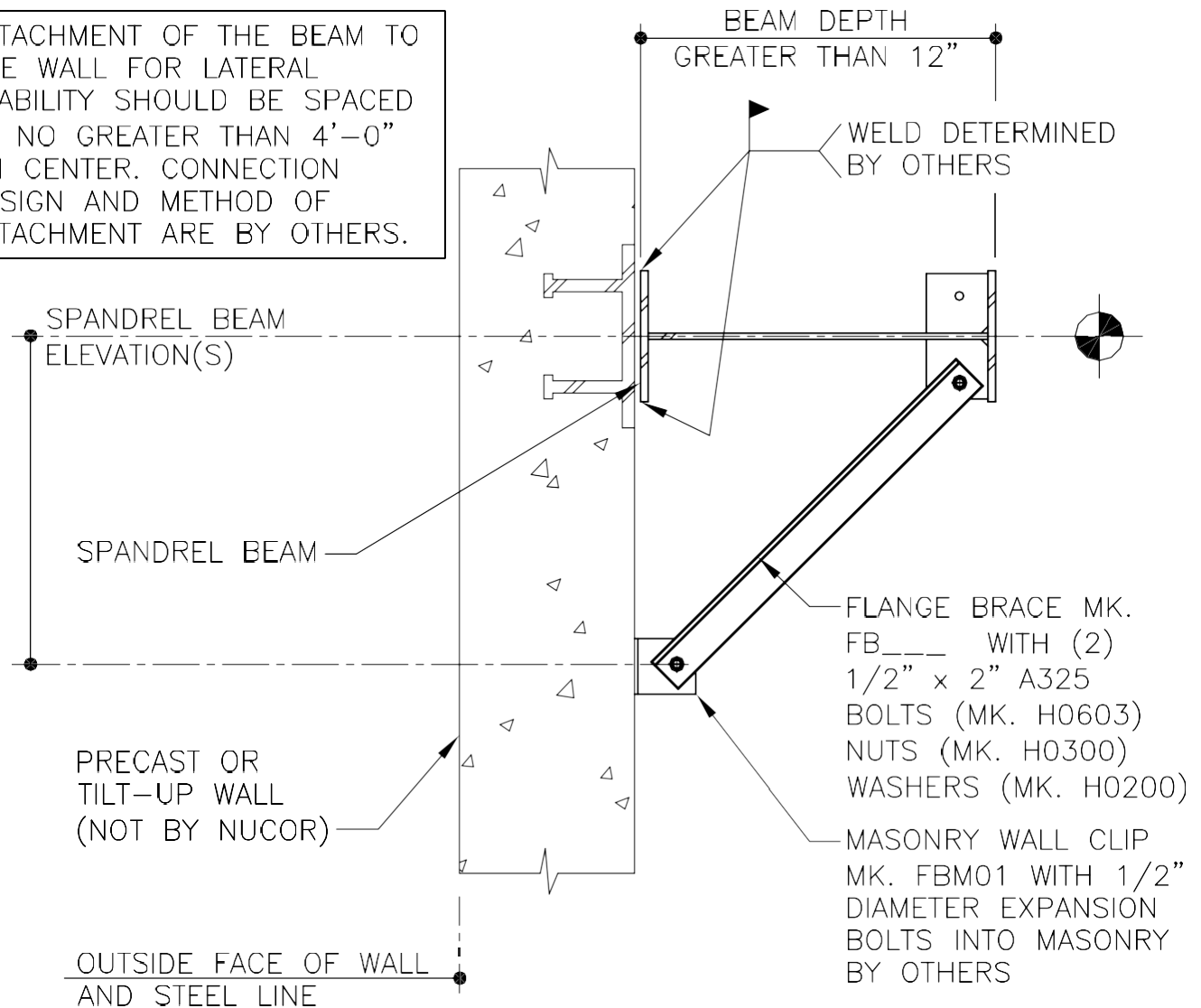
MASONRY WALL DETAIL

SPANDREL BEAM DEPTH GREATER THAN 12"

LE0020

LE0030 – SPANDREL BEAM TO WALL CONNECTION (WELDED TO EMBEDDED PLATE)

ATTACHMENT OF THE BEAM TO THE WALL FOR LATERAL STABILITY SHOULD BE SPACED AT NO GREATER THAN 4'-0" ON CENTER. CONNECTION DESIGN AND METHOD OF ATTACHMENT ARE BY OTHERS.

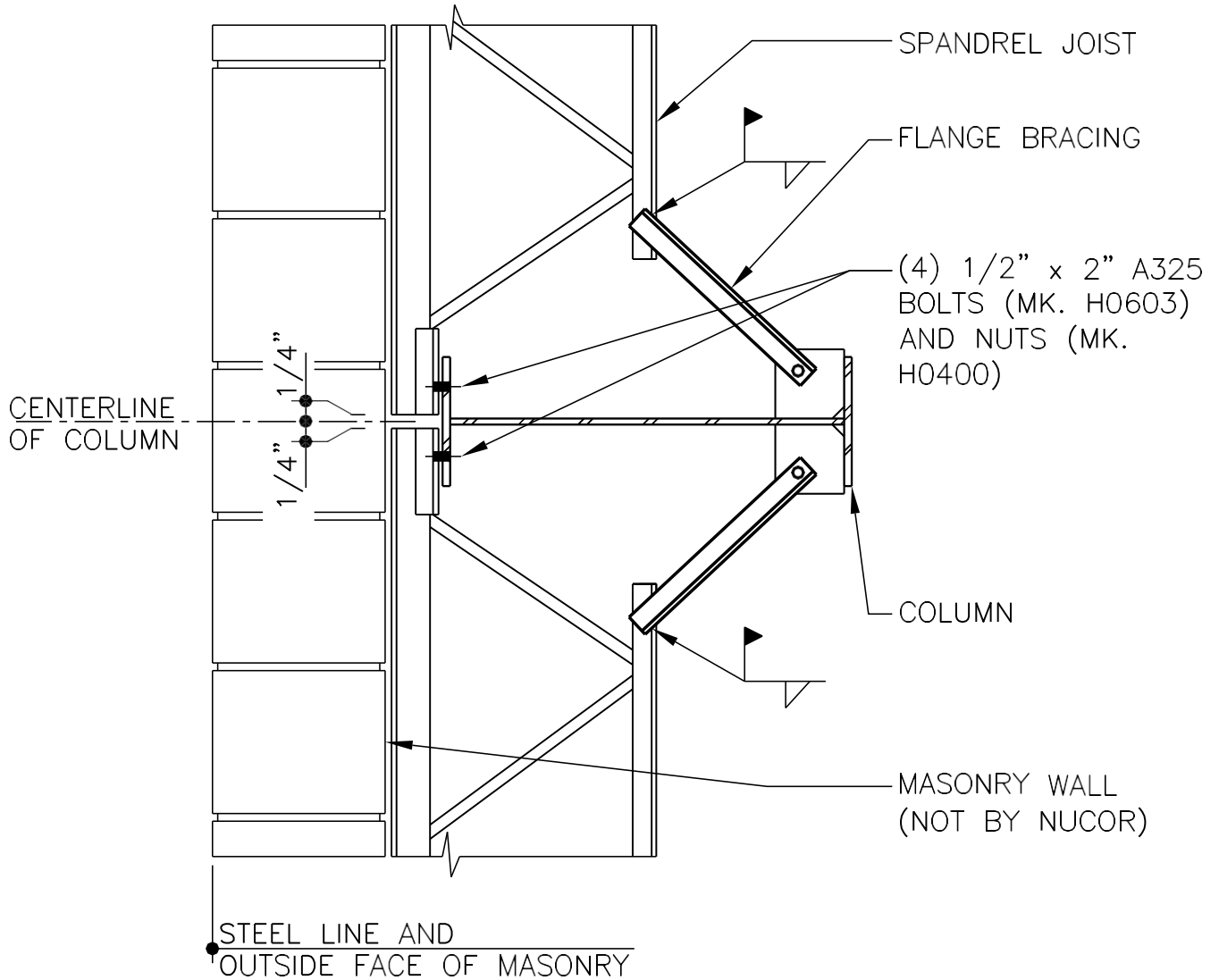


SPANDREL BEAM TO PRECAST OR TILT-UP WALL DETAIL

SPANDREL BEAM DEPTH GREATER THAN 12"

LE0030

LE0040 – SPANDREL JOIST TO COLUMN CONNECTION

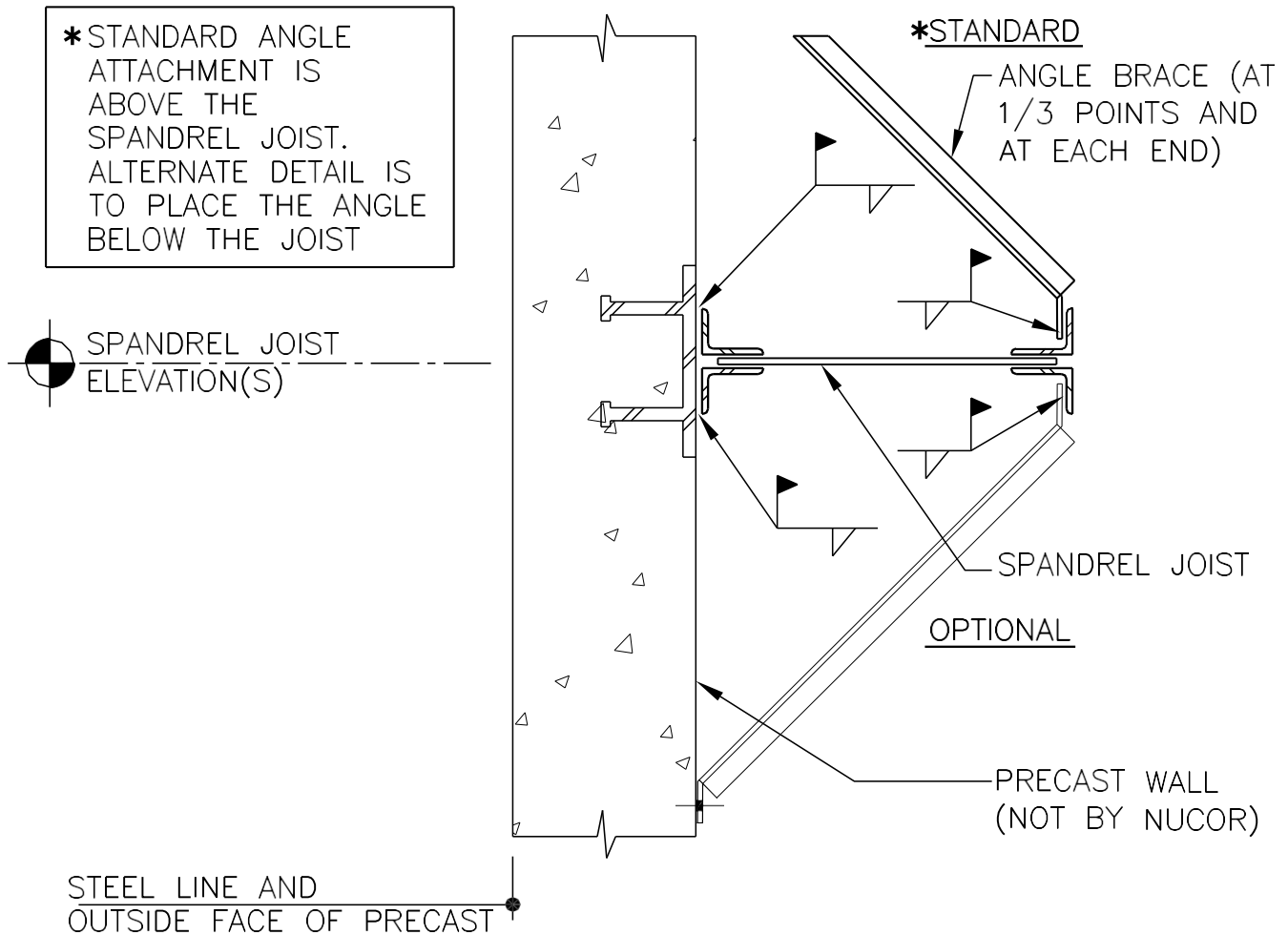


NON-LOAD BEARING MASONRY

SPANDREL JOIST TO COLUMN CONNECTION

LE0040

LE0050 – SPANDREL JOIST TO WALL CONNECTION (WELDED TO EMBEDDED PLATE)



NON-LOAD BEARING MASONRY

SPANDREL JOIST TO WALL (WELDED TO EMBEDDED PLATE)

LE0050

F: SPANDREL GIRT ATTACHMENT DETAILS

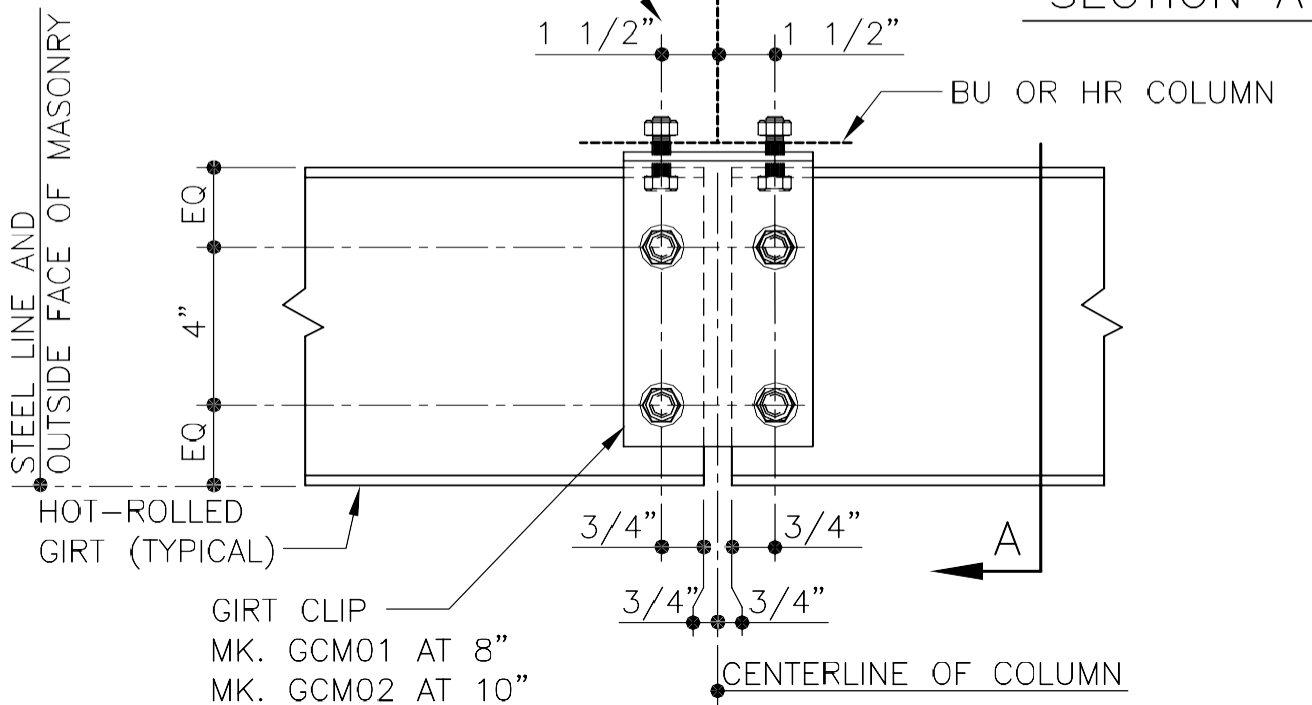
LF0010 – PARTIAL HEIGHT MASONRY (HOT-ROLLED CEE GIRT ON TOP OF WALL)

GIRT CLIP MK. GCM__ (SEE BELOW FOR MARK NUMBER)

HOT-ROLLED GIRT WITH SHOP-WELDED PLATES

ATTACHMENT TO WALL AT 5'-0" O.C. MAXIMUM
(ANCHORS NOT BY NBS) (FIELD DRILL GIRT AS REQ'D)

USE (2) 1/2" x 2" A325
BOLTS H0603/ NUTS H0300
(CLIP TO FLANGE CONNECTION)



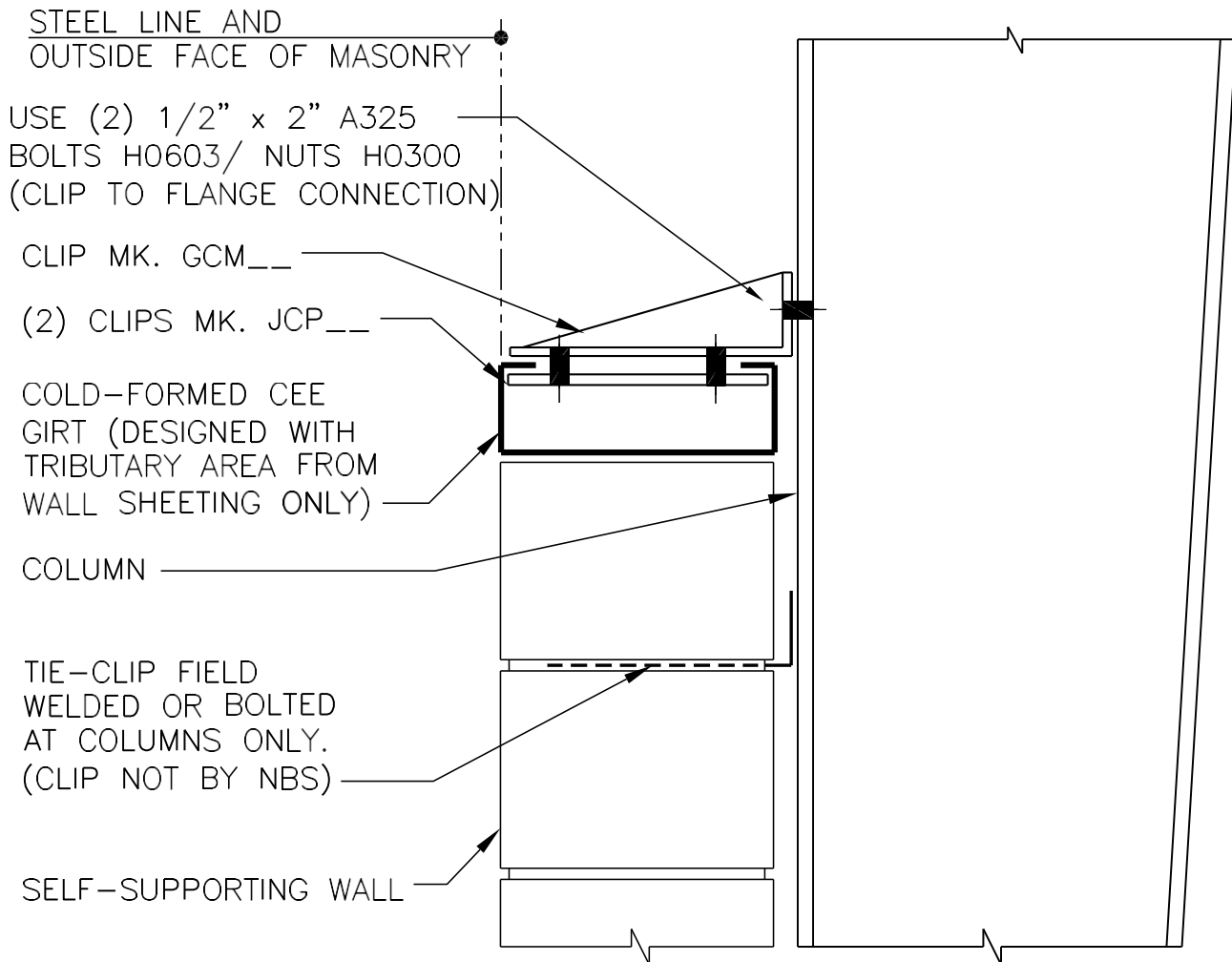
NON SELF-SUPPORTING MASONRY

PARTIAL HEIGHT MASONRY (HOT-ROLLED GIRT ON TOP OF WALL)
USE (4) 1/2" x 1 1/4" A307 BOLTS (H0500) & NUTS (H0400)
REFERENCE ERECTOR NOTE FOR TYPICAL WASHER REQUIREMENTS

LF0010

G: SHEAR WALL DETAILS

LG0010 – PARTIAL HEIGHT MASONRY (COLD-FORMED CEE GIRT ON TOP OF WALL)

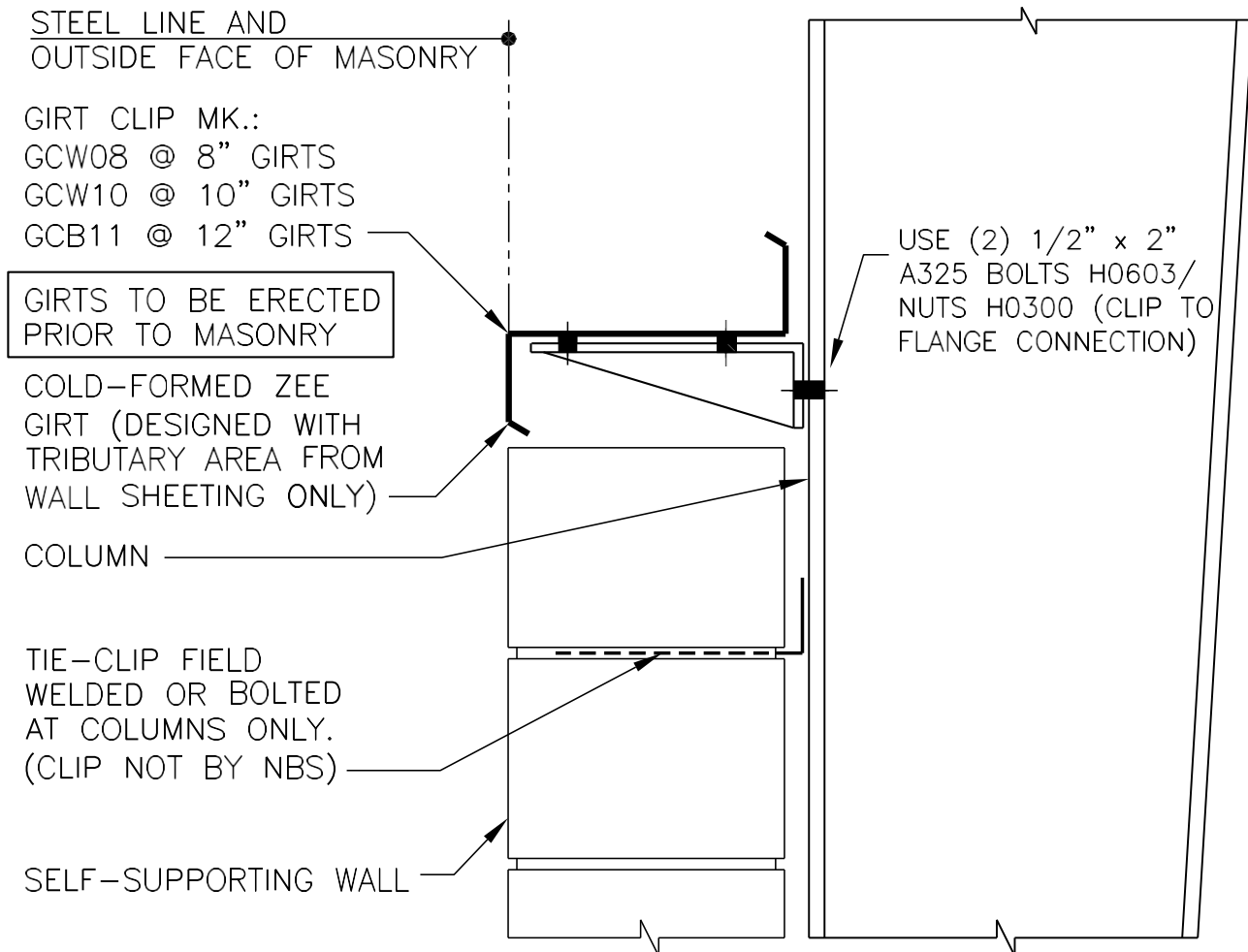


**STANDARD DETAIL FOR
SELF-SUPPORTING MASONRY**

PARTIAL HEIGHT MASONRY (BASE CEE ON TOP OF WALL)
USE (4) 1/2" x 1 1/4" A307 BOLTS (H0500) NUTS (H0400)
REFERENCE REFLECTOR NOTE FOR TYPICAL WASHER REQUIREMENTS

LG0010

LG0020 – PARTIAL HEIGHT MASONRY (COLD-FORMED ZEE GIRTS ON TOP OF WALL)



**OPTIONAL DETAIL FOR
SELF-SUPPORTING MASONRY**

PARTIAL HEIGHT MASONRY (BASE ZEE ON TOP OF WALL)
USE (4) 1/2" x 1 1/4" A307 BOLTS (H0500) NUTS (H0400)
REFERENCE REFECTOR NOTE FOR TYPICAL WASHER REQUIREMENTS

LG0020